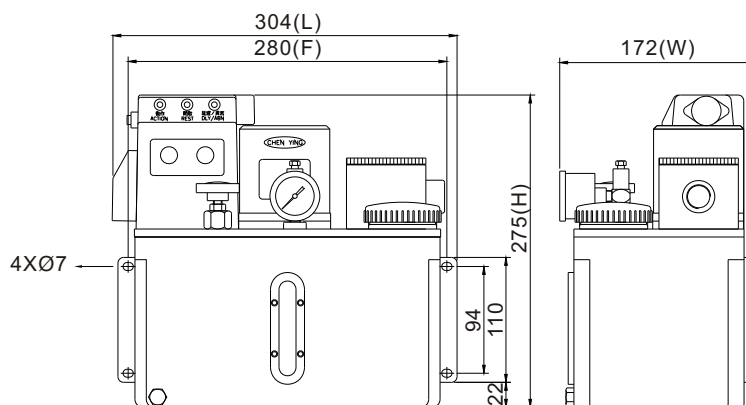


CEF Type Circulating Electric Lubricator



CEF-05(25W) Type Standards Externals

◆ Features

- 1.CEF type is circulating lubricator, which means the oil flows out, then comes back into the oil tank through the cyclic inlet. The cyclic inlet has magnetic filter, which can block the impurities and assure the oil clean.
- 2.The timer controls the operation and interval time. The electronic box has operation, interval and abnormal indicators.
- 3.It has a feed-oil button, press the button and the oil will feed immediately.
- 4.After installing and connecting the piping, press the “feed-oil button” till the oil flows out, then start to use it.
- 5.It used a high quality alloy steel gear pump and induction motor that not only has steady output pressure and low noise, but also can assure each lubrication point with output of oil. It can be applied for large machines' request.
- 6.It has a pressure-regulating valve and pressure gauge, where an operator can adjust the pressure and check the pressure easily.
- 7.It has a float switch that can detect the oil volume. It will have an automatic signal automatically when the oil level is lower than the minimum.

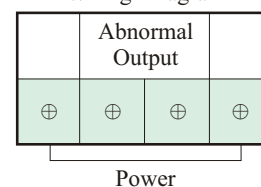
◆ Application of Machines Equipment

- 1.The circulating type electric lubricators could save the usage volume of oil, and have large discharge volume.
- 2.Circulating type lubricators also have cooling, lubricative and filtering effect, which can reduce wear of lubrication point. It's suitable for machinery requiring large discharge volume or quickly operating.

Model	Act Time	Interval Time	Motor	Max Volume	Max Pressure	1Ø Voltage	Ampere	Hertz	Discharge Bore	Cyclic Inlet	Oil Viscosity
CEF	3sec-3min	1-60min	25W	250 cc/min	15kgf/cm ²	110V	0.7A	50/60Hz	Ø4 or Ø6	1/2" or 3/4" (inch)	32-68cSt@40°C
		1-180min 1-360min	60W	500 cc/min	30kgf/cm ²	110V 220V	1A 0.65A				

Model	Tank Code	Tank Material	Capacity Liters	Fixed Hole Distance(mm)	Length (mm)	Width (mm)	Height (mm)	Weight (kg)
CEF (25W)	05	Aluminum	4L	280	304	172	275	7.50
	08	Iron	8L	338	355	190	305	10.10
	12	Iron	12L	475	495	220	345	12.40
Model	Tank Code	Tank Material	Capacity Liters	Fixed Hole Distance(mm)	Length (mm)	Width (mm)	Height (mm)	Weight (kg)
CEF (60W)	08	Iron	8L	338	355	190	340	11.15
	12	Iron	12L	475	495	220	380	13.45

CEF Single Phase Wiring Diagram



◆ Order Code :

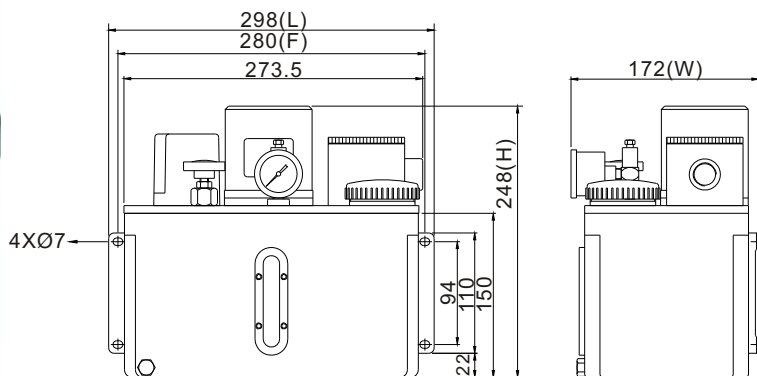
CE	F	05	060	C	25	1	A	※
Model :	Tank Capacity (Material)	Interval	Voltage	Motor	Discharge Bore	Cyclic Inlet	Special Request	
Circulating Type	05 : 4L (Aluminum)	060 : 60min	A : 110V	25 : 25W	0 : Ø4	A : 1/2 "	※60 : 8L above metal tank could be assembled with 60W motor.	
F : Controlled by Timer	08 : 8L (Iron)	180 : 180min	C : 220V		1 : Ø6	B : 3/4 "		
	12 : 12L (Iron)	360 : 360min			2 : Ø4 (With Pressure Gauge)			
	20 : 20L (Iron)				3 : Ø6 (With Pressure Gauge)			
	30 : 30L (Iron)							
	40 : 40L (Iron)							
	60 : 60L (Iron)							
								※90 : 8L above metal tank could be assembled with 90W motor.

CEF Type Circulating Electric Lubricator



CEH Type Circulating Electric Lubricator

CEH Type Circulating Electric Lubricator



CEH-05 (25W) Type Standards Externals

◆ Features

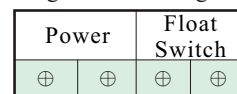
- 1.CEH type is circulating lubricator, which means the oil flows out, then comes back into the oil tank through the cyclic inlet. The cyclic inlet has magnetic filter, which can block the impurities and assure the oil clean.
- 2.CEH type is without timer, also could be controlled by Programmable Logic Controller (PLC).
- 3.After installing and connecting the piping, feed oil till oil flows out, then start to use this lubricator.
- 4.It used a high quality alloy steel gear pump and induction motor that not only has steady output pressure and low noise, but also can assure each lubrication point with output of oil. It can be applied for large machines' request.
- 5.It has a pressure-regulating valve and pressure gauge, where an operator can adjust the pressure and check the pressure easily.
- 6.It has a float switch that can detect the oil volume. It will have an automatic signal automatically when the oil level is lower than the minimum.

◆ Application of Machines Equipment

- 1.The circulating type electric lubricators could save the usage volume of oil, and have large discharge volume.
- 2.Circulating type lubricators also have cooling, lubricative and filtering effect, which can reduce wear of lubrication point. It's suitable for machinery requiring large discharge volume or quickly operating.

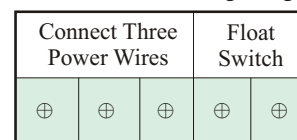
Model	Motor	Max Volume	Max Pressure	Voltage	Ampere	Hertz	Discharge Bore	Cyclic Inlet	Oil Viscosity
CEH	25W	250 cc/min	15kgf/cm ²	110V 220V 3Ø Optional	0.7A 0.2A 0.3A	50/60Hz	Ø4 or Ø6	1/2" or 3/4" (inch)	32-68cSt@40°C
	60W	600 cc/min	30kgf/cm ²	110V 220V 3Ø Optional	1A 0.65A 0.35A				

CEH Single Phase Wiring Diagram



Model	Tank Code	Tank Material	Capacity Liters	Fixed Hole Distance(mm)	Length (mm)	Width (mm)	Height (mm)	Weight (kg)
CEH (25W)	05	Aluminum	4L	280	298	172	248	7.25
	08	Iron	8L	338	355	190	275	10.30
	12	Iron	12L	475	495	220	315	12.60
Model	Tank Code	Tank Material	Capacity Liters	Fixed Hole Distance(mm)	Length (mm)	Width (mm)	Height (mm)	Weight (kg)
CEH (60W)	08	Iron	8L	338	355	190	340	11.35
	12	Iron	12L	475	495	220	380	13.65

CEH Three Phase Wiring Diagram

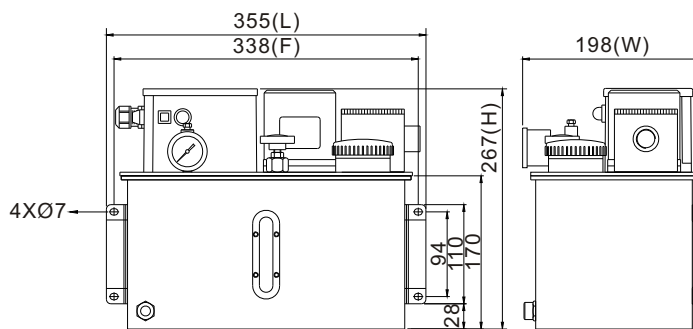


While connecting wires, please make sure that the motor rotates anticlockwisely (see the red spot of spindle). If the motor rotate clockwise, please change positions of two power wires, then try again

◆ Order Code :

CE	H	05	C	25	1	A	※
Model :	Tank Capacity(Material)	Voltage	Motor	Discharge Bore	Cyclic Inlet	Special Request	
Circulating Type	05 : 4L (Aluminum)	A : 110V	25 : 25W	0 : Ø4	A : 1/2 "	※60 : 8L above metal tank could be assembled with 60W motor.	
H:controlled by PLC	08 : 8L (Iron)	C : 220V		1 : Ø6	B : 3/4 "		
	12 : 12L (Iron)	D : 3Ø 220/380V		2 : Ø4 (With Pressure Gauge)		※90 : 8L above metal tank could be assembled with 90W motor.	
	20 : 20L (Iron)	E : 3Ø220/440V		3 : Ø6 (With Pressure Gauge)			
	30 : 30L (Iron)	F : 3Ø 208/415V					
	40 : 40L (Iron)	G : 3Ø 230/460V					
	60 : 60L (Iron)	H : 3Ø 240/480V					
		X : Special Voltage					

CEU Type Circulating Electric Lubricator



CEU-08(25W) Type Standards Externals

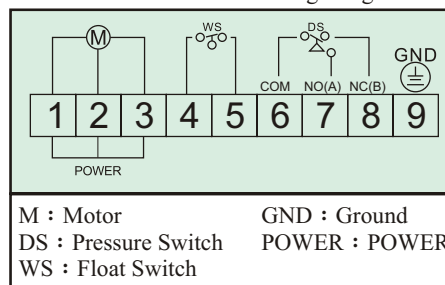
◆ Features

- 1.CEU type is circulating lubricator, which means the oil flows out, then comes back into the oil tank through the cyclic inlet. The cyclic inlet has magnetic filter, which can block the impurities and assure the oil clean.
- 2.CEU type is without timer, also could be controlled by Programmable Logic Controller (PLC).
- 3.After installing and connecting the piping, feed oil till oil flows out, then start to use this lubricator.
- 4.It used a high quality alloy steel gear pump and induction motor that not only has steady output pressure and low noise, but also can assure each lubrication point with output of oil. It can be applied for large machines' request.
- 5.It has a pressure switch device and been set up as 1kg/cm², which assures the oil volume of lubrication point and detects if the piping works normally. The standard specification is NC (Normal Close) contact, which means if the pressure is abnormal, it will have abnormal signal. NO (Normal Open) contact is on request.
- 6.It has a pressure-regulating valve, which can adjust the pressure and easy to check from the pressure gauge.
- 7.It has a float switch that can detect the oil volume . It will have an automatic signal when the oil level is lower than the minimum.
- 8.CEU type could be installed a power indicator on request.

◆ Application of Machines Equipment

The circulating type electric lubricators could save the usage volume of oil, and have large discharge volume. Circulating type lubricators also have cooling, lubricative and filtering effect, which can reduce wear of lubrication point. It's suitable for machinery requiring large discharge volume or quickly operating.

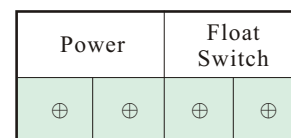
CEU Three Phase Wiring Diagram



Model	Motor	Max Volume	Max Pressure	Voltage	Ampere	Hertz	Discharge Bore	Cyclic Inlet	Oil Viscosity
CEU	25W	250 cc/min	15kgf/cm ²	1Ø 110V 1Ø 220V 3Ø Optional	0.7A 0.2A 0.3A	50/60Hz	Ø4 or Ø6	1/2" or 3/4" (inch)	32-68cSt@40°C
	60W	600 cc/min	30kgf/cm ²	1Ø 110V 1Ø 220V 3Ø Optional	1A 0.65A 0.35A				

Model	Tank Code	Tank Material	Capacity Liters	Fixed Hole Distance(mm)	Length (mm)	Width (mm)	Height (mm)	Weight (kg)
CEU (25W)	08	Iron	8L	338	355	198	267	12.25
	20	Iron	20L	410,200	450	250	370	17.80
	40	Iron	40L	450,300	560	410	505	43.00
CEU (60W)	08	Iron	8L	338	355	190	340	13.30
	20	Iron	20L	410,200	450	250	435	18.90
	40	Iron	40L	450,300	560	410	570	44.05

CEU (No Pressure Switch Type) Single Phase Wiring Diagram



◆ Order Code :

CE U 08 C 25 1 A ※

Model :	Tank Capacity(Material)	Voltage	Motor	Discharge Bore	Cyclic Inlet	Special Request
Circulating Type	08 : 8L (Iron)	A : 110V	25 : 25W	0 : Ø4	A : 1/2 "	※60 : 8L above metal tank could be assembled with 60W motor.
U : With	20 : 20L (Iron)	C : 220V		1 : Ø6	B : 3/4 "	
Pressure Switch	30 : 30L (Iron)	D : 3Ø 220/380V		2 : Ø4 (With Pressure Gauge)		
	40 : 40L (Iron)	E : 3Ø 220/440V		3 : Ø6 (With Pressure Gauge)		※90 : 8L above metal tank could be assembled with 90W motor.
	60 : 60L (Iron)	F : 3Ø 208/415V				
		G : 3Ø 230/460V				

V084\04C Q8 : H
 agstloV laicq2 : X

CEU Type Circulating Electric Lubricator