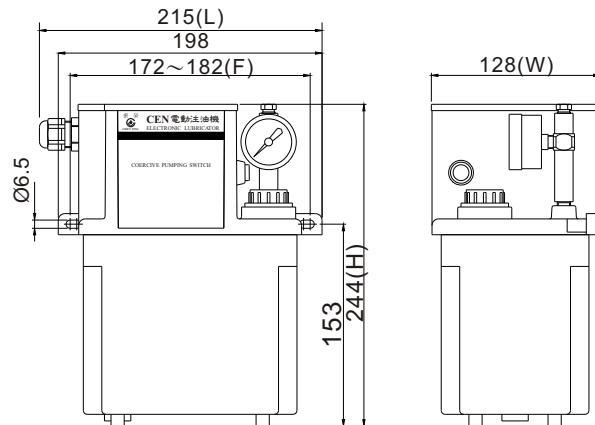


CEN01 Resistance Type Electric Lubricator

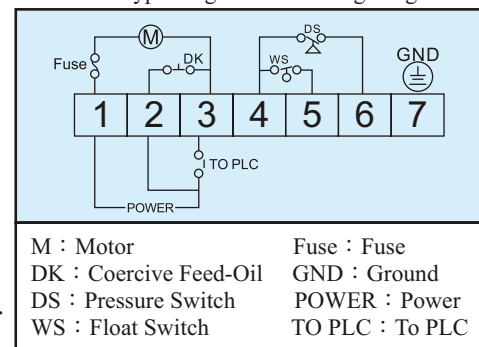


CEN01-01 Type Standards External

◆ Features

1. CEN01 type is without timer (also could be controlled by Programmable Logic Controller) and can work with many kinds of open distributors and proportion adapters.
2. It has a pressure switch device and been set up as 1kg/cm² for checking if the piping works normally. The standard specification is NC (Normal Close) contact, which means if the pressure is abnormal, it will have abnormal signal. NO (Normal Open) contact is on request.
3. It has a spark-eliminator inside to prevent the sparks producing when the electric current is running. The spark-eliminator can avoid PLC to be interfered.
4. It has a float switch that can detect the volume of oil. It will have abnormal signal automatically when the oil level is lower than the standard.
5. Please don't press the force feed-oil () button more than three minutes in order to avoid overloading. When the temperature reaches 100°C , the sensor will be on to stop the motor continue running about 5 minutes.
6. It has a pressure gauge, which can detect the pressure.
7. Its function is similar to CEN02 type. The difference is CEN01 type is without timer and CEN02 type is controlled by a timer. CEN03 and CEN04 types are pressure-relief type electric lubricators.

CEN01 Type Single Phase Wiring Diagram



◆ Application of Machines Equipment

CEN01 type usually works with processing or projecting machinery.

Model	Act Time	Interval Time	Motor	Max Volume	Max Pressure	IØ Voltage	Ampere	Hertz	Discharge Bore	Oil Viscosity
CEN01	Control by PLC		30W	130 cc/min	15kgf/cm ²	110V 220V	2.5A 1A	60Hz or 50Hz	Ø4orØ6	32-68cSt@40°C

Model	Tank Code	Tank Material	Capacity Liters	Fixed Hole Distance(mm)	Length (mm)	Width (mm)	Height (mm)	Weight(kg)
CEN01	01	Resin	2L	177	215	128	244	3.75
	02	Aluminum	2L	200	218	145	235	4.90
	03	Resin	3L	205	230	167	244	4.30
	04	Resin	4L	250	277	162	264	4.90
	05	Aluminum	4L	280	298	167	255	5.85
	08	Iron	8L	338	355	190	280	8.60

◆ Order code :

CEN	01	01	C	3	※
Model	Tank Capacity(Material)	Voltage	Discharge Bore	Special Request	
01 : Resistance Type, Controlled By PLC	01 : 2L (Resin) 02 : 2L (Aluminum) 03 : 3L (Resin) 04 : 4L (Resin) 05 : 4L (Aluminum) 08 : 8L (Iron)	A : 110V,60Hz B : 220V,50Hz C : 220V,60Hz	0 : Ø4 1 : Ø6 2 : Ø4 (With Pressure Gauge) 3 : Ø6 (With Pressure Gauge)	※B : Add a buzzer	