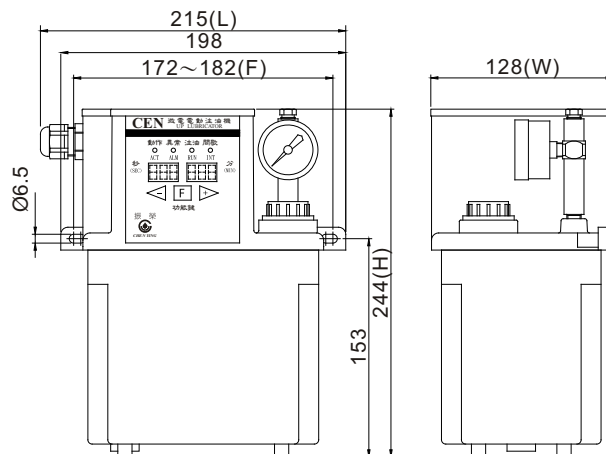


CEN02 Type Resistance Electric Lubricator



CEN02-01 Type Standards Externals

◆ Features

1. CEN02 type has a timer, which controls the operation and interval time. The electronic box has operation, abnormal, feeding and interval indicators.
2. It has a float switch that can detect the oil volume. It will have abnormal signal automatically when the oil level is lower than the standard.
3. The buzzer will alarm when oil level is lower than the standard.
4. Please don't press the force feed-oil (**F** button) more than three minutes in order to avoid overloading. When the temperature reaches 100°C , the sensor will be on to stop the motor continue running about 5 minutes.
5. It has a pressure gauge that can detect the pressure easily.
6. Its function is similar to CEN01 type. The difference is CEN01 type is without timer (also could be controlled by Programmable Logic Controller) and CEN02 type is controlled by a timer. CEN03 and CEN04 types are pressure-relief type electric lubricators.

◆ Application of Machines Equipment

It usually works with processing or projecting machinery.

Model	Act Time	Interval Time	Motor	Max Volume	Max Pressure	1Ø Voltage	Ampere	Hertz	Discharge Bore	Oil Viscosity
CEN02	1-999 sec	1-999sec or min	30W	130 cc/min	15kgf/cm ²	110V 220V	2.5A 1A	60Hz or 50Hz	Ø4orØ6	32-68cSt@40°C

Model	Tank Code	Tank Material	Capacity Liters	Fixed Hole Distance(mm)	Length (mm)	Width (mm)	Height (mm)	Weight (kg)
CEN02	01	Resin	2L	177	215	128	244	3.80
	02	Aluminum	2L	200	218	145	235	5.10
	03	Resin	3L	205	230	167	244	4.40
	04	Resin	4L	250	277	162	264	5.00
	05	Aluminum	4L	280	298	167	255	5.95
	08	Iron	8L	338	355	190	280	8.65

CEN02 Single Phase Wiring Diagram

Abnormal Output			Ground	Power
NO (A)	NC (B)	COM	GND (P. E)	POWER
⊕	⊕	⊕	⊕	⊕ ⊕

◆ Order code :

CEN	02	01	2	C	3	※
Model	Tank Capacity(Material)	Time(Act x Interval)	Voltage	Discharge Bore	Special Request	
02 : Resistance Type, Controlled By Timer	01 : 2L (Resin) 02 : 2L (Aluminum) 03 : 3L (Resin) 04 : 4L (Resin) 05 : 4L (Aluminum) 08 : 8L (Iron)	1 : sec x sec 2 : sec x min	A : 110V,60Hz B : 220V,50Hz C : 220V,60Hz	0 : Ø4 1 : Ø6 2 : Ø4 (With Pressure Gauge) 3 : Ø6 (With Pressure Gauge)		