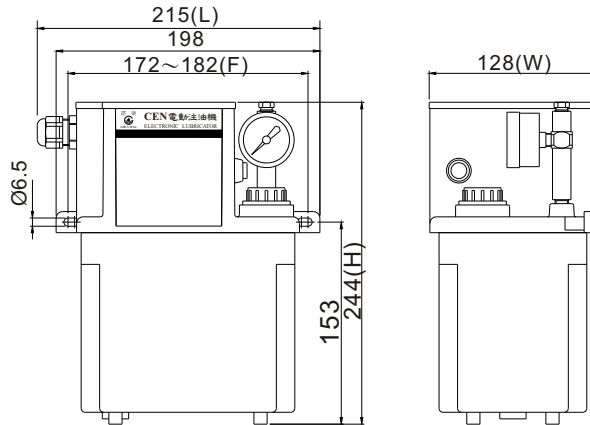


CEN03 Type Pressure-Relief Electric Lubricator



CEN03-01 Type Standards External

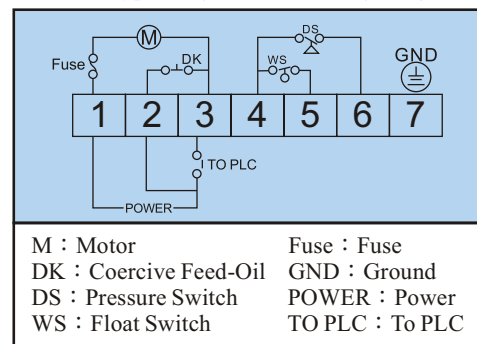
◆ Features

1. CEN03 type is without timer (also could be controlled by Programmable Logic Controller) and has to work with volume distributors. With CAB or CBB type volume distributor, oil will feed during operation time. With CDB or T type volume distributor, oil will feed during interval time.
2. The discharge volume is fixed. The lubrication points of volume distributor supply a fixed flow of oil.
3. It has a spark-eliminator inside to prevent the sparks producing when the electric current is running. The spark-eliminator can avoid PLC (Programmable Logic Controller) to be interfered.
4. CEN03 type has a pressure switch device and been set up as 8kg/cm², which assures the oil volume of lubrication point and check if the piping works normally. The standard specification is NC (Normal Close) contact, which means if the pressure is abnormal, it will have signal. NO (Normal Open) contact is on request.
5. It has a float switch that can detect the oil volume. When oil is lower than the minimum level, the float switch will automatically send a continuous signal.
6. It has a pressure gauge where an operator can check the pressure easily.
7. Please don't press the force feed-oil (**F** button) more than three minutes in order to avoid overloading. When the temperature reaches 100°C, the sensor will be on to stop the motor continue running about 5 minutes.
8. Its function is similar to CEN04 type. The difference is CEN03 type is without timer and CEN04 type is controlled by a timer. CEN01 and CEN02 types are resistance type lubricators.

◆ Application of Machines Equipment

1. It can be used for the machines requiring strictly rationing oil flow.
2. It is usually used for such as processing machines or projecting machines.

CEN03 Type Single Phase Wiring Diagram



Model	Tank Code	Tank Material	Capacity Liters	Fixed Hole Distance(mm)	Length (mm)	Width (mm)	Height (mm)	Weight (kg)
CEN03	01	Resin	2 L	177	215	128	244	3.80
	02	Aluminum	2 L	200	218	145	235	5.10
	03	Resin	3 L	205	230	167	244	4.35
	04	Resin	4 L	250	277	162	264	4.95
	05	Aluminum	4 L	280	298	167	255	5.90
	08	Iron	8 L	338	355	190	280	8.65

Model	Act Time	Interval Time	Motor	Max Volume	Max Pressure	1Ø Voltage	Ampere	Hertz	Discharge Bore	Oil Viscosity
CEN03	Control By PLC		30W	130 cc/min	15kgf/cm ²	110V 220V	2.5A 1A	60Hz or 50Hz	Ø4 or Ø6	32-68cSt@40°C

◆ Order code :

CEN 03	01	C	3	※
Model 03 : Pressure-Relief Type, Controlled by PLC	Tank Capacity (Material) 01 : 2L (Resin) 02 : 2L (Aluminum) 03 : 3L (Resin) 04 : 4L (Resin) 05 : 4L (Aluminum) 08 : 8L (Iron)	Voltage A : 110V,60Hz B : 220V,50Hz C : 220V,60Hz	Discharge Bore 0 : Ø4 1 : Ø6 2 : Ø4 (With Pressure Gauge) 3 : Ø6 (With Pressure Gauge)	Special Request ※B : Add a Buzzer