

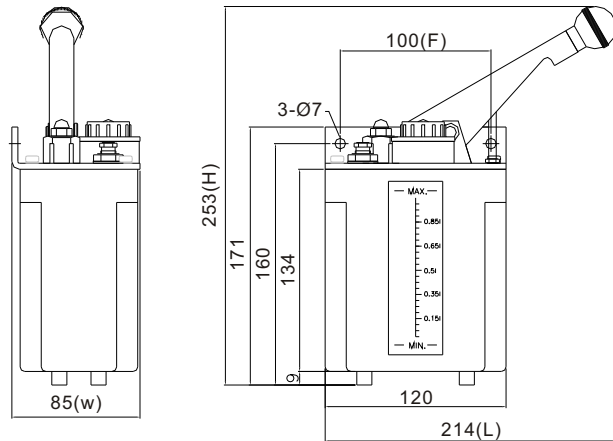
# CKE Type Hand-Pressing Lubricators



CKE Type Hand-Pressing Lubricators



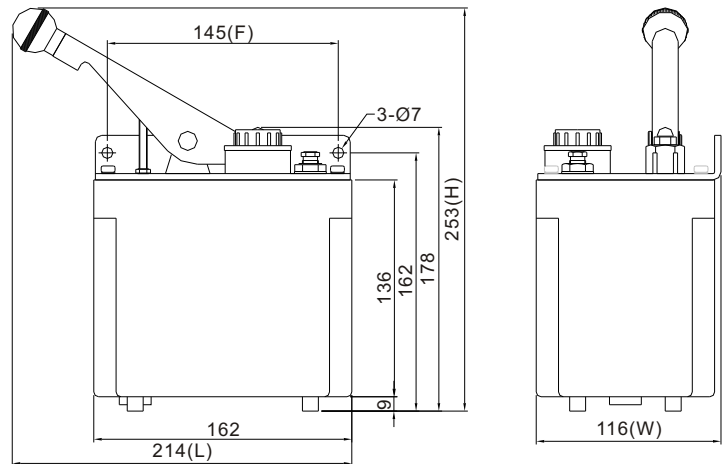
CKE-8 Left Type



CKE-8 Left Type Standards Externals



CKE-20 Right Type



CKE-20 Right Type Standards Externals

## ◆ Features

1. Easy to be operated by pushing the handle down for oil feeding.
2. Small volume and easy for installation.
3. Low cost, high practicality. It can be used in diverse machinery.
4. The oil outlet can be on left-hand side or right-hand side of the unit.  $\varnothing 4$  or  $\varnothing 6$  discharge bore are available as optional.
5. The unit is equipped with reverse stopper that prevents the back-flow of oil.

## ◆ Application of Machines Equipment

1. This unit can work with the machines that do not need to feed oil at certain time.
2. It's suitable for various kinds of machine tools and automatic machinery.

Model	Max Volume	Max Pressure	Capacity Liters	Discharge Bore	Fixed Hole Distance(mm)	Length (mm)	Width (mm)	Height (mm)	Oil Viscosity	Weight (kg)
CKE-8 Left Type CKE-8 Right Type	8cc	5kgf/cm <sup>2</sup>	1 L	$\varnothing 4$ or $\varnothing 6$	100	195	85	253	32-68cSt@40°C	1.53
CKE-20 Left Type CKE-20 Right Type			2 L		145	214	116	253		

## ◆ Order code :

CKE

08

R

1

※

08 : 1Liter Type  
20 : 2Liter Type

L : Left Hand Outlet  
R : Right Hand Outlet

Discharge Bore  
0 :  $\varnothing 4$   
1 :  $\varnothing 6$

Special Request