



CESA/B, CESMA/B, CESC, CESS Type Resistance Electric Lubricator

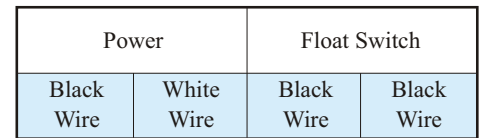
◆ Features

1. CES resistance type electric lubricator series include CESA/B, CESMA/B, CESC and CESS types. The accessories are different by each model. Please refer to the specification for further details.
2. The interval time could be set up on request (2, 3, 5, 10, 15, 30, 60 minutes), supply the power, and the lubricator will work automatically.
3. The discharge volume could be set up on request and customers can adjust it by themselves. The standard specification of discharge volume is 3-6 cc/stroke, 1-6 cc/stroke is also available on request.
4. CES series used a Japanese synchronous motor, worm gear and a worm shaft working together.
5. CESB, CESMB and CESC type have float switches for detecting the oil level. When oil level is lower than minimum level, the float switch will signal automatically.
6. The standard specification of float switch is NO (Normal Open) contact, which means when oil level is normal, it will send signals automatically. NC (Normal Close) contact is also available on request.

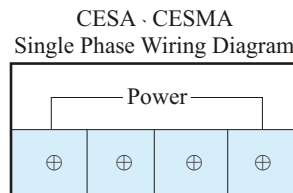
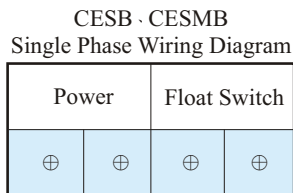
◆ Application of Machines Equipment

1. It is suitable for the machinery which needs fixed interval time and discharge volume.
2. It usually works with desktop lathes or carpentry machinery or press machines.

CESS Single Phase Wiring Diagram



1. CESSType has no terminal base.
2. CESSType standards has no float switch, but could be assembled one on request.



Model	Interval Time	Motor	cc/stroke	Max Pressure	1Ø Voltage	Ampere	Hertz	Discharge Bore	Oil Viscosity
CESA	2、3、5、10、 15、30、60 min Optional (Non-Adjustable)	4W	3-6cc	3kgf/cm ²	110V 220V	0.1A 0.05A	50/60Hz	Ø4 or Ø6	32-68cSt@40°C
CESB									
CESMA									
CESMB									
CESC									
CESS	1-3cc								

Model	Capacity Liters	Fixed Hole Distance(mm)	Length (mm)	Width (mm)	Height (mm)	Weight (kg)	Float Switch	Wiring	Buzzer	IC Board
CESA	2L	176	197	139	250.5	1.91	×	Pu11 Out	×	×
CESB			197	139	250.5	1.97	○		×	×
CESMA			205	139	250.5	2.07	×	Inside	×	×
CESMB			205	139	250.5	2.13	○		×	×
CESC			198	139	250.5	2.04	○	Pu11 Out	○	○
CESS	1L	100	125	89	203	1.28	×	Pu11 Out	×	×

◆ Order code :

CES	A	10	C	6	3	※
Model	Interval	Voltage	Discharge Volume	Discharge Bore	Special Request	
A : Standards, Wiring Pull Out	03 : 3min	A : 110V	1 : 1cc	0 : Ø4	※L : Add a Light	
B : With Float Switch, Wiring Pull Out	05 : 5min	C : 220V	2 : 2cc	1 : Ø6		
MA : Standards, Wiring Inside	10 : 10min		3 : 3cc	2 : Ø4 (With Pressure Gauge)		
MB : With Float Switch, Wiring Inside	15 : 15min		4 : 4cc	3 : Ø6 (With Pressure Gauge)		
C : With IC Box and Buzzer	30 : 30min		5 : 5cc			
	60 : 60min		6 : 6cc			

◆ Order code :

CES	S	10	C	3	1	※
Model	Interval	Voltage	Discharge Volume	Discharge Bore	Special Request	
S : Standards, Tank Capacity 1L	03 : 3min	A : 110V	1 : 1cc	0 : Ø4	※B : Add a Buzzer	
SB : With Float Switch Tank Capacity 1L	05 : 5min	C : 220V	2 : 2cc	1 : Ø6		
	10 : 10min		3 : 3cc			
	15 : 15min					
	30 : 30min					
	60 : 60min					

CESA/B、CESMA/B、CESC、CESS Type Resistance Electric Lubricator



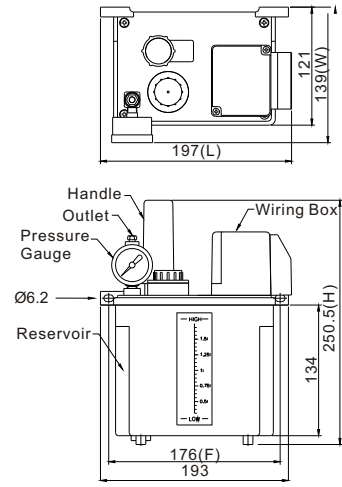
CESA/B、CESMA/B、CESC、CESS Type Resistance Electric Lubricator



CESA



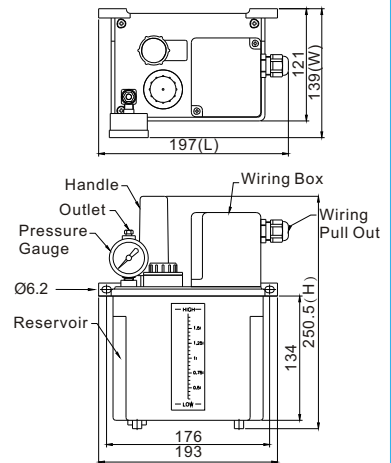
CESB



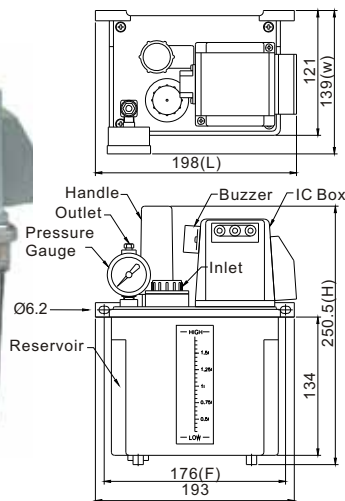
CESMA



CESMB



CESC



CESS

