

TOP-2MY

Specifications

Model	Item	No. of Motor Revolutions 50Hz 1500min ⁻¹				No. of Motor Revolutions 60Hz 1800min ⁻¹					
		Theoretical Discharge ℓ / min	Max. Pressure for Motor Output (MPa)				Theoretical Discharge ℓ / min	Max. Pressure for Motor Output (MPa)			
			200W	400W	750W	1500W		200W	400W	750W	1500W
TOP-203HBM		4.2	1.7	3.0	3.0	3.0	5.0	1.3	3.0	3.0	3.0
TOP-204HBM		6.0	1.2	3.0	3.0	3.0	7.2	0.9	2.3	3.0	3.0
TOP-206HBM		9.0	0.7	1.8	2.5	2.5	10.8	0.5	1.4	2.5	2.5
TOP-208HBM		12.0	0.5	1.3	2.5	2.5	14.4	0.3	1.0	2.3	2.5
TOP-210HBM		15.0	0.4	1.1	2.5	2.5	18.0	0.3	0.9	2.0	2.5
TOP-212HBM		18.0	0.3	0.9	2.0	2.0	21.6		0.7	1.6	2.0
TOP-216HBM		24.0	0.2	0.7	1.5	1.5	28.8		0.5	1.2	1.5
TOP-220HBM		30.0		0.4	1.2	1.2	36.0		0.3	0.9	1.2

The above maximum pressure for motor output values are for when using ISO-VG46 oil with an oil temperature of 40 °C.

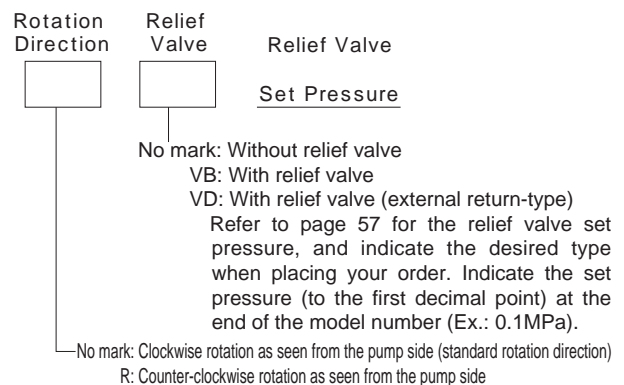
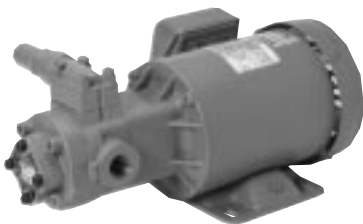
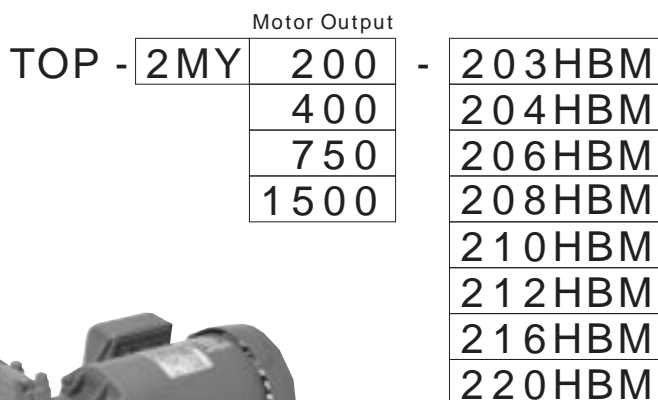
Motor Specifications

Three-Phase Squirrel-Cage Induction Motor Totally enclosed Class E insulation

Output (W)	No. of Poles (P)	Rating	Voltage (V)	Frequency (Hz)	No. of Revolutions (min ⁻¹)	Current (A)	Approx. Weight (kg)
200	4	Continuous	200	50	1440	1.34	7.0
			200	60	1720	1.12	
			220	60	1730	1.17	
400	4	Continuous	200	50	1420	2.2	10.0
			200	60	1710	1.93	
			220	60	1730	1.95	
750	4	Continuous	200	50	1440	3.6	14.0
			200	60	1720	3.3	
			220	60	1740	3.2	
1500	4	Continuous	200	50	1430	6.9	22.0
			200	60	1720	6.2	
			220	60	1730	6.1	

*Please feel free to ask your Nippon Oil Pump representative for more information about special motor specifications such as for outdoor use, explosion-proof, special voltages and reverse box position.

Model



Model Examples

TOP-2MY200-203HBMVB (200W, three-phase, with relief valve)

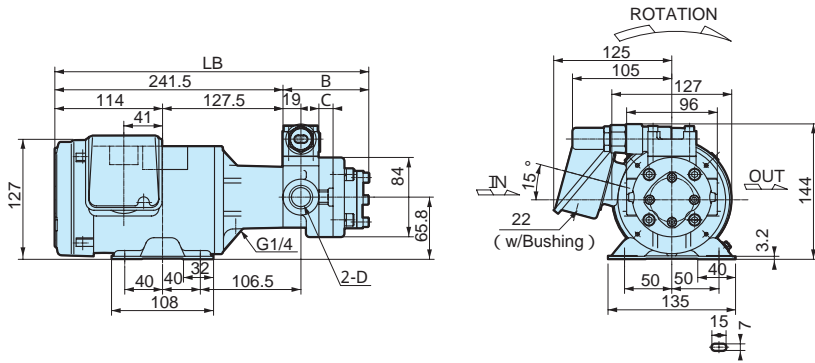
TOP-2MY400-206HBMR (400W, three-phase, counterclockwise rotation as seen from the pump side)

TOP-2MY750-210HBMVD (750W, three-phase, with relief valve <external return type>)

Dimensional Diagrams

Be sure to check the Nippon Oil Pump homepage for the most up-to-date diagrams and dimensions.

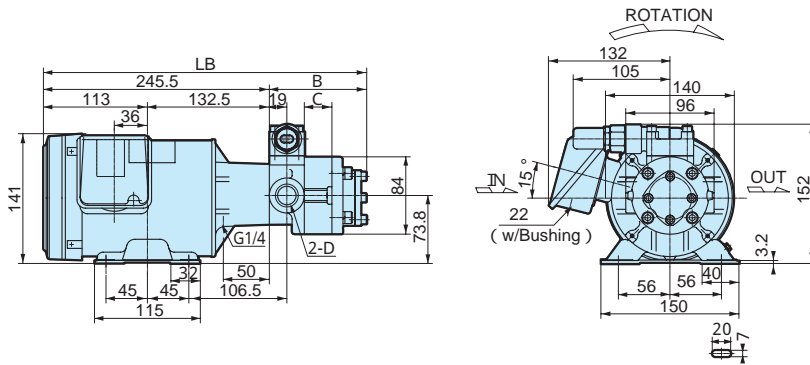
Model : TOP - 2MY200 - 2HBMVB



Dimensions

Model	Item	LB	B	C	D
2MY200-203HBMVB		324.5	83	7	Rc ¹ / ₂
2MY200-204HBMVB		327.5	86	10	
2MY200-206HBMVB		332.5	91	15	
2MY200-208HBMVB		337.5	96	20	Rc ³ / ₄
2MY200-210HBMVB		342.5	101	25	
2MY200-212HBMVB		347.5	106	30	
2MY200-216HBMVB		357.5	116	40	

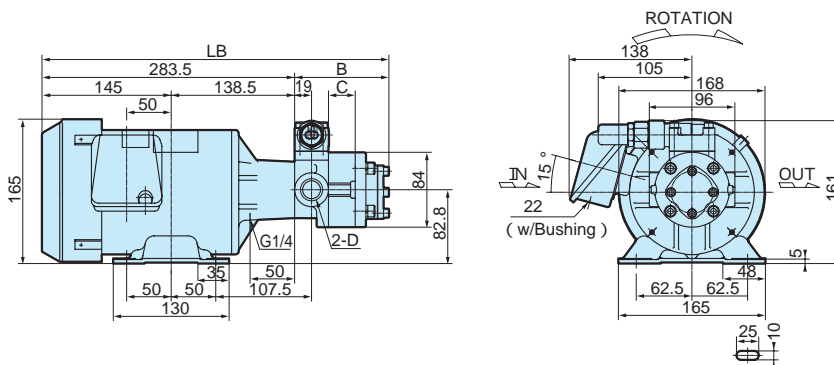
Model : TOP - 2MY400 - 2HBMVB



Dimensions

Model	Item	LB	B	C	D
2MY400-203HBMVB		328.5	83	7	Rc ¹ / ₂
2MY400-204HBMVB		331.5	86	10	
2MY400-206HBMVB		336.5	91	15	
2MY400-208HBMVB		341.5	96	20	Rc ³ / ₄
2MY400-210HBMVB		346.5	101	25	
2MY400-212HBMVB		351.5	106	30	
2MY400-216HBMVB		361.5	116	40	
2MY400-220HBMVB		371.5	126	50	

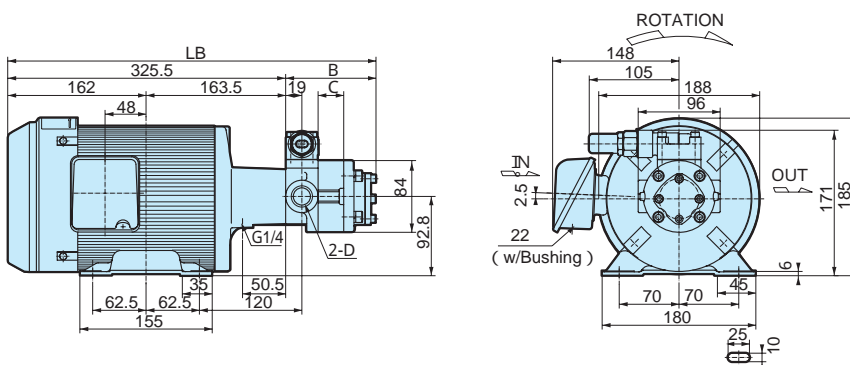
Model : TOP - 2MY750 - 2HBMVB



Dimensions

Model	Item	LB	B	C	D
2MY750-203HBMVB		366.5	83	7	Rc ¹ / ₂
2MY750-204HBMVB		369.5	86	10	
2MY750-206HBMVB		374.5	91	15	
2MY750-208HBMVB		379.5	96	20	Rc ³ / ₄
2MY750-210HBMVB		384.5	101	25	
2MY750-212HBMVB		389.5	106	30	
2MY750-216HBMVB		399.5	116	40	
2MY750-220HBMVB		409.5	126	50	

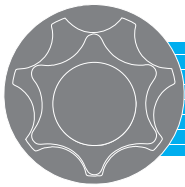
Model : TOP - 2MY1500 - 2HBMVB



Dimensions

Model	Item	LB	B	C	D
2MY1500-203HBMVB		408.5	83	7	Rc ¹ / ₂
2MY1500-204HBMVB		411.5	86	10	
2MY1500-206HBMVB		416.5	91	15	
2MY1500-208HBMVB		421.5	96	20	Rc ³ / ₄
2MY1500-210HBMVB		426.5	101	25	
2MY1500-212HBMVB		431.5	106	30	
2MY1500-216HBMVB		441.5	116	40	
2MY1500-220HBMVB		451.5	126	50	

2HB



TOP-2ME S (Single-Phase Motor)

Specifications

Model	Item	No. of Motor Revolutions 50Hz 1500min ⁻¹			No. of Motor Revolutions 60Hz 1800min ⁻¹				
		Theoretical Discharge ℓ / min	Max. Pressure for Motor Output (MPa)			Theoretical Discharge ℓ / min	Max. Pressure for Motor Output (MPa)		
			200W	400W	750W		200W	400W	750W
TOP-203HBM		4.2	1.7	3.0	3.0	5.0	1.3	3.0	3.0
TOP-204HBM		6.0	1.2	3.0	3.0	7.2	0.9	2.3	3.0
TOP-206HBM		9.0	0.7	1.8	2.5	10.8	0.5	1.4	2.5
TOP-208HBM		12.0	0.5	1.3	2.5	14.4	0.3	1.0	2.3
TOP-210HBM		15.0	0.4	1.1	2.5	18.0	0.3	0.9	2.0
TOP-212HBM		18.0	0.3	0.9	2.0	21.6		0.7	1.6
TOP-216HBM		24.0	0.2	0.7	1.5	28.8		0.5	1.2
TOP-220HBM		30.0		0.4	1.2	36.0		0.3	0.9

The above maximum pressure for motor output values are for when using ISO-VG46 oil with an oil temperature of 40 °C.

Motor Specifications

Open, drip-proof Condenser-start type

Output(W)	No. of Poles(P)	Rating	Voltage(V)	Frequency(Hz)	No. of Revolutions (min ⁻¹)	Current(A)	Approx. Weight(kg)
200	4	Continuous	100	50	1430	5.6	10
			200	60	1720	4.9	
400	4	Continuous	100	50	1420	8.4	15
			200	60	1710	7.6	
750	4	Continuous	100	50	1450	11.2	21
			200	60	1740	9.6	
						4.9	

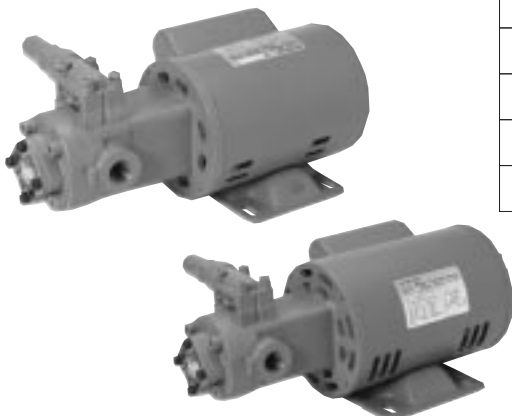
Model

TOP -	2ME	Motor Output	Phase	-	203HBM
		200	S		204HBM
		400	S		206HBM
		750	S		208HBM
					210HBM
					212HBM
					216HBM
					220HBM

Rotation Direction Relief Valve Relief Valve Set Pressure

No mark: Without relief valve
 VB: With relief valve
 VD: With relief valve (external return-type)
 Refer to page 57 for the relief valve set pressure, and indicate the desired type when placing your order. Indicate the set pressure (to the first decimal point) at the end of the model number (Ex.: 0.1MPa).

—No mark: Clockwise rotation as seen from the pump side (standard rotation direction)
 R: Counter-clockwise rotation as seen from the pump side

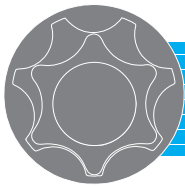


Model Examples

TOP-2ME200S-203HBMVB (200W, single-phase, with relief valve)

TOP-2ME400S-206HBMR (400W, single-phase, counterclockwise rotation as seen from the pump side)

TOP-2ME750S-210HBMVD (750W, single-phase, with relief valve <external return type>)



TOP-2MBY

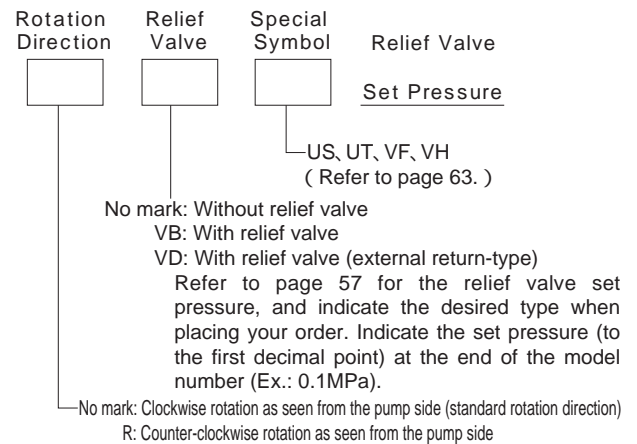
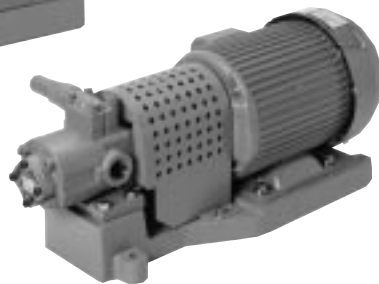
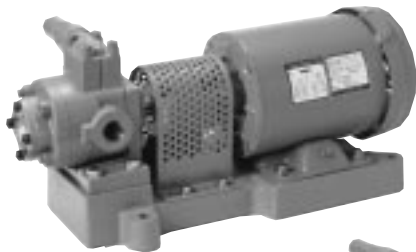
Specifications

Model	Item	No. of Motor Revolutions 50Hz 1500min ⁻¹					No. of Motor Revolutions 60Hz 1800min ⁻¹						
		Theoretical Discharge ℓ / min	Max. Pressure for Motor Output (MPa)					Theoretical Discharge ℓ / min	Max. Pressure for Motor Output (MPa)				
			200W	400W	750W	1500W	2200W		200W	400W	750W	1500W	2200W
TOP-203HB		4.2	1.7	3.0	3.0	3.0	5.0	1.3	3.0	3.0	3.0	3.0	
TOP-204HB		6.0	1.2	3.0	3.0	3.0	7.2	0.9	2.3	3.0	3.0	3.0	
TOP-206HB		9.0	0.7	1.8	2.5	2.5	10.8	0.5	1.4	2.5	2.5	2.5	
TOP-208HB		12.0	0.5	1.3	2.5	2.5	14.4	0.3	1.0	2.3	2.5	2.5	
TOP-210HB		15.0	0.4	1.1	2.5	2.5	18.0	0.3	0.9	2.0	2.5	2.5	
TOP-212HB		18.0	0.3	0.9	2.0	2.0	21.6		0.7	1.6	2.0	2.0	
TOP-216HB		24.0	0.2	0.7	1.5	1.5	28.8		0.5	1.2	1.5	1.5	
TOP-220HB		30.0		0.4	1.2	1.2	36.0		0.3	0.9	1.2	1.2	

The above maximum pressure for motor output values are for when using ISO-VG46 oil with an oil temperature of 40 °C.

Model

TOP -	2MBY	Motor Output		-	203HB
		200			
		400			
		750			
		1500			
		2200			
					204HB
					206HB
					208HB
					210HB
					212HB
					216HB
					220HB



Model Examples

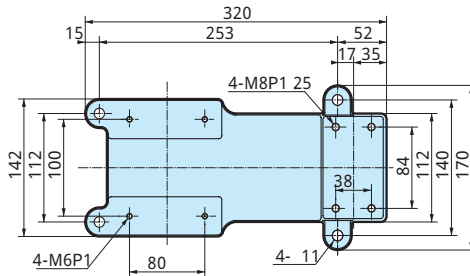
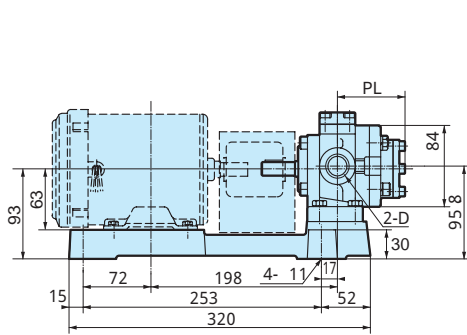
TOP-2MBY200-203HBVB (200W, with relief valve)

TOP-2MBY400-206HBR (400W, counterclockwise rotation as seen from the pump side)

Dimensional Diagrams

Be sure to check the Nippon Oil Pump homepage for the most up-to-date diagrams and dimensions.

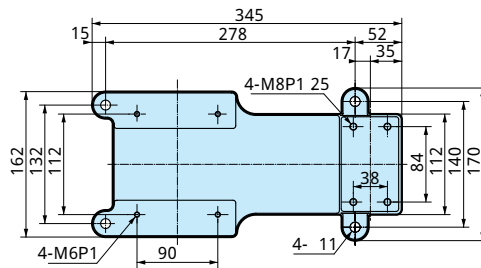
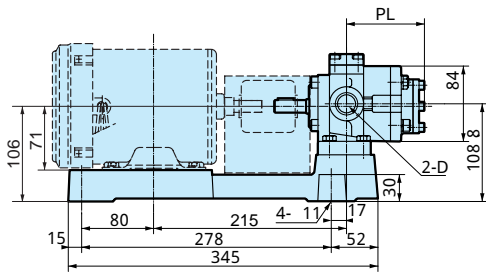
Model : TOP - 2MBY200 - 2HB



Dimensions

Model	Item	PL	D
203HB	64		Rc ^{1/2}
204HB	67		
206HB	72		
208HB	77		
210HB	82		Rc ^{3/4}
212HB	87		
216HB	97		

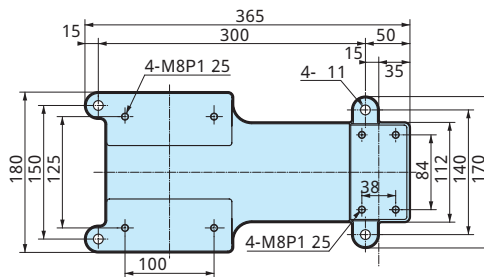
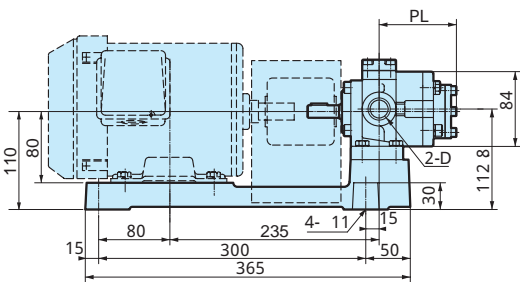
Model : TOP - 2MBY400 - 2HB



Dimensions

Model	Item	PL	D
203HB	64		Rc ^{1/2}
204HB	67		
206HB	72		
208HB	77		
210HB	82		Rc ^{3/4}
212HB	87		
216HB	97		
220HB	107		

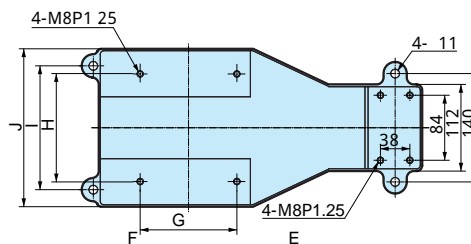
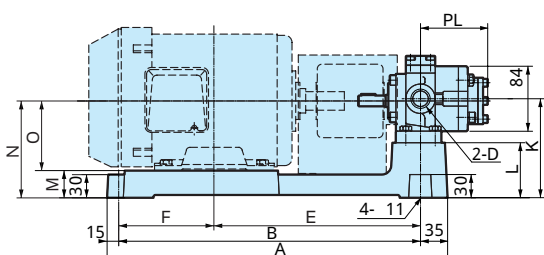
Model : TOP - 2MBY750 - 2HB



Dimensions

Model	Item	PL	D
203HB	64		Rc ^{1/2}
204HB	67		
206HB	72		
208HB	77		
210HB	82		Rc ^{3/4}
212HB	87		
216HB	97		
220HB	107		

Model : TOP - 2MBY1500-2HB/ TOP - 2MBY2200-2HB



Dimensions

Model	Item	PL	D
203HB	64		Rc ^{1/2}
204HB	67		
206HB	72		
208HB	77		
210HB	82		Rc ^{3/4}
212HB	87		
216HB	97		
220HB	107		

Output	A	B	E	F	G	H	I	J	K	L	M	N	O
1500W	440	390	267	123	125	140	160	204	127.8	71	35	125	90
2200W	479	429	295	134	140	160	160	230	152.8	96	50	150	100