

BRAKE MOTOR 剎車馬達

構造 (斷電剎車型) CONSTRUCTION (POWER-OFF BRAKE TYPE)

本公司的電磁剎車馬達為激磁作動型，當電磁鐵的激磁線圈，一加上電壓，與彈簧對抗的電磁鐵會將活動片吸住，於是剎車被放開，馬達軸心便可以自由地轉動。

Our brake motor is a excitation type motor. Once voltage is introduced into the coil, the magnet working against the spring will hold the moving plate, releasing the brake, and allowing the motor shaft to move freely.

■ 絕緣阻抗 INSULATION RESISTANCE

線圈與外殼間以DC 500V高阻計量測，測定值在10MΩ以上。
Tested value at 10MΩ and above, measured by DC 500V Hi-Resistance meter between the coil and housing.

■ 絕緣耐力 HI-POT RESISTANCE

線圈與外殼間以60Hz, 1kV加入一分鐘無異狀。
No damages caused after 1kV at 60Hz was tested for one minute between the coil and housing.



剎車間隙的調整 ADJUSTMENT OF THE BRAKE CLEARANCE

在電磁線圈與活動片之間的間隙稱之為剎車間隙。出廠時我們會設定在0.15mm的理想值(約一張名片的厚度)。當使用一段時間後，會因剎車來令片的磨耗而使剎車間隙變大，若剎車間隙大於0.3mm時，送廠檢修或更新來令片將間隙調回0.15mm。

Brake clearance is the gap between magnetic coils and moving plate. The ideal pre-setting is 0.15mm (around the thickness of a name card). After a period of usage, the clearance is widened due to lining friction and wear. If the clearance is bigger than 0.3mm, please contact us or replace the lining.

特徵 FEATURES

■ 高剎車力及保持力

HIGH BRAKING & HOLDING FORCE

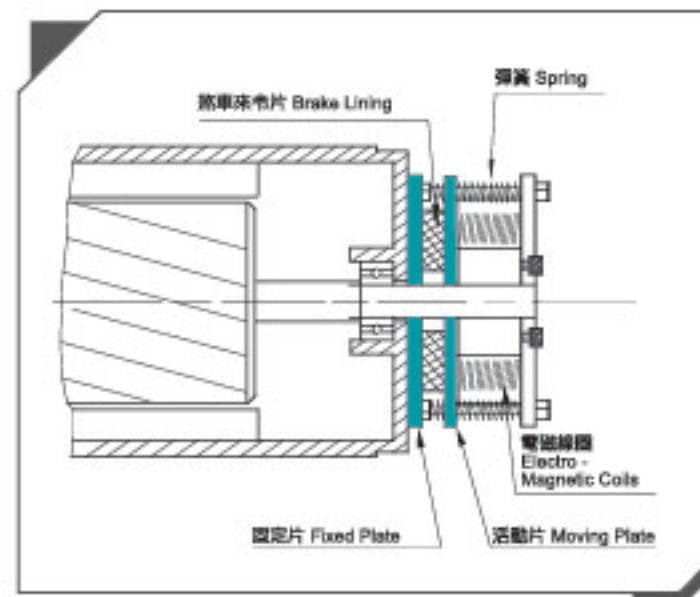
內建激磁作動的電磁剎車：當電源被切斷時，不但能迅速的停止馬達，而且能很確實的保持住負荷，所以最適合用於緊急時的安全剎車。

Built-in excitation brake: as the power is shut off, it can stop the motor instantly and accurately holds the load, making it most suitable for emergency braking.

■ 剎車精度高 BRAKE PRECISION

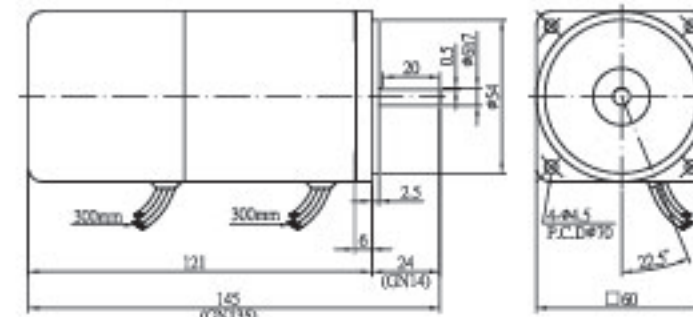
不論馬達轉速多少，電磁剎車均能使馬達本體的過轉控制在2-3轉內，因此適用於頻繁正逆轉的操作。使用頻率：10次/分

Regardless of rpm, the magnetic brake can control the overruns within 2-3 turns, making it suitable for frequent forward/reverse operation. Brake frequency: 10 times per minute



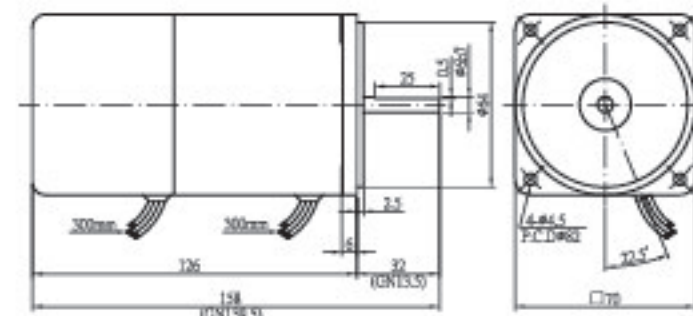
ELECTRO-MAGNETIC INDUCTION BRAKE MOTOR -IP22 感應式電磁剎車馬達 防護等級IP22

■ 外形圖與規格表
■ OUTLINE & SPECIFICATION
■ 單位/UNIT: mm



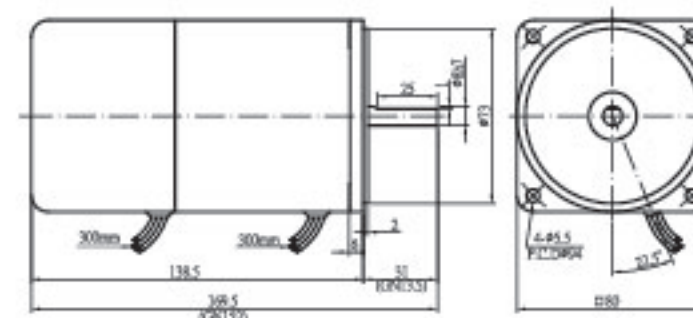
6W外型圖

6W機型MODEL	出力(W) OUTPUT	電壓(V) VOLTAGE	頻率(HZ) FREQ.	極數(P) POLE	額定轉速(rpm) RATED SPEED	額定時間 RATED TIME	起動轉矩(Kg.cm) STARTING TORQUE	額定轉矩(Kg.cm) RATED TORQUE	額定電流(A) RATED CURRENT	電容值(μF) CAPACITY
2K6A(GN)-AM	6	1φ100/110	50/60	4	1150/1400	30分鐘/minutes	0.70/0.83	0.50/0.41	0.22/0.21	2.5/300V
2K6A(GN)-CM	6	1φ200/220	50/60	4	1150/1550	30分鐘/minutes	0.65/0.7	0.51/0.54	0.1/0.11	0.7/450V
2K6A(GN)-CEM	6	1φ230/240	50	4	1100/1200	30分鐘/minutes	0.74/0.77	0.55/0.5	0.11/0.1	0.7/450V



15W外型圖

15W機型MODEL	出力(W) OUTPUT	電壓(V) VOLTAGE	頻率(HZ) FREQ.	極數(P) POLE	額定轉速(rpm) RATED SPEED	額定時間 RATED TIME	起動轉矩(Kg.cm) STARTING TORQUE	額定轉矩(Kg.cm) RATED TORQUE	額定電流(A) RATED CURRENT	電容值(μF) CAPACITY
3K15A(GN)-AM	15	1φ100/110	50/60	4	1150/1650	30分鐘/minutes	0.88/1.04	1.22/0.91	0.36/0.35	5/300V
3K15A(GN)-CM	15	1φ200/220	50/60	4	1150/1600	30分鐘/minutes	0.75/1.1	1.12/0.93	0.16/0.16	1.2/450V
3K15A(GN)-CEM	15	1φ230/240	50	4	1300/1300	30分鐘/minutes	1.06/1.06	1.14/1.13	0.17/0.17	1.2/450V



25W外型圖

25W機型MODEL	出力(W) OUTPUT	電壓(V) VOLTAGE	頻率(HZ) FREQ.	極數(P) POLE	額定轉速(rpm) RATED SPEED	額定時間 RATED TIME	起動轉矩(Kg.cm) STARTING TORQUE	額定轉矩(Kg.cm) RATED TORQUE	額定電流(A) RATED CURRENT	電容值(μF) CAPACITY
4K25A(GN)-AM	25	1φ100/110	50/60	4	1250/1600	30分鐘/minutes	1.4/1.4	1.93/1.51	0.57/0.45	6/300V
4K25A(GN)-CM	25	1φ200/220	50/60	4	1250/1600	30分鐘/minutes	1.57/1.38	1.91/1.52	0.28/0.25	1.5/450V
4K25A(GN)-CEM	25	1φ230/240	50	4	1300/1300	30分鐘/minutes	1.38/1.55	1.9/1.86	0.25/0.24	1.5/450V
4K25A(GN)-SM	25	3φ220	50/60	4	1300/1550	30分鐘/minutes	5.12/4.04	1.88/1.56	0.22/0.19	-
4K25A(GN)-UM	25	3φ380	50/60	4	1200/1350	30分鐘/minutes	3.96/2.97	2.04/1.79	0.11/0.11	-

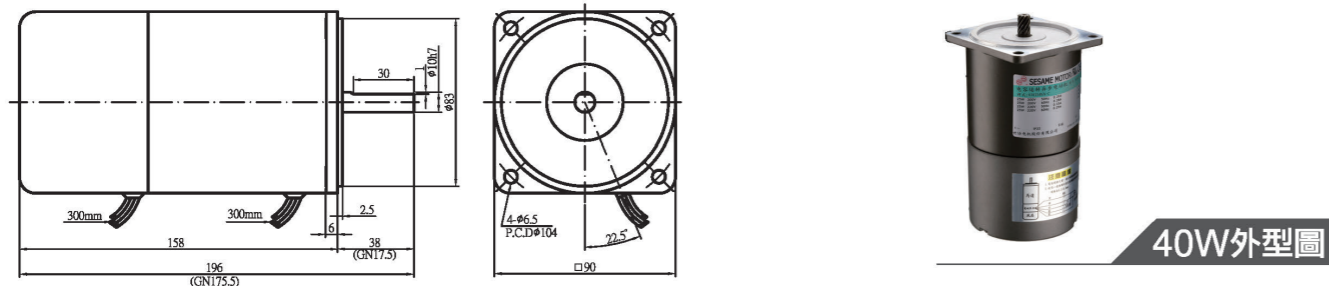
備註 NOTES:

- 感應式電磁剎車馬達之使用頻率不可大於10次/分。The applicable frequency for the ELECTRO-MAGNETIC INDUCTION BRAKE MOTOR should not exceed more than 10 times per minute.
- 感應式電磁剎車馬達之靜態摩擦轉矩：6W-25W: 4Kg.cm, 40W-90W: 10Kg.cm. Static friction torque of a ELECTRO-MAGNETIC INDUCTION BRAKE MOTOR is: 6W-25W: 4Kg.cm, 40W-90W: 10Kg.cm.

ELECTRO-MAGNETIC INDUCTION BRAKE MOTOR -IP22

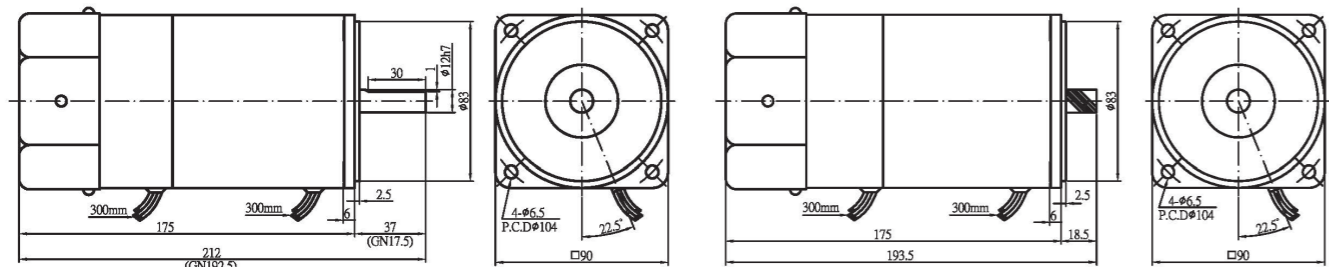
感應式電磁剎車馬達 防護等級IP22

■ 外形圖與規格表
■ OUTLINE & SPECIFICATION
■ 單位/UNIT : mm



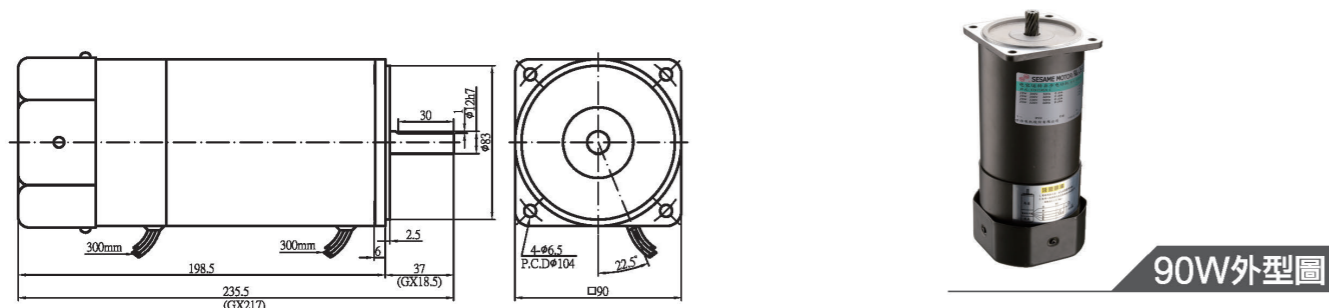
40W外型圖

40W機型MODEL	出力(W) OUTPUT	電壓(V) VOLTAGE	頻率(HZ) FREQ.	極數(P) POLE	額定轉數(rpm) RATED SPEED	額定時間 RATED TIME	起動轉矩(Kg.cm) STARTING TORQUE	額定轉矩(Kg.cm) RATED TORQUE	額定電流(A) RATED CURRENT	電容量(µF) CAPACITY
5IK40A(GN)-AM	40	1ø100/110	50/60	4	1250/1600	30分鐘/minutes	2.14/2.66	3.17/2.41	0.87/0.76	10/300V
5IK40A(GN)-CM	40	1ø200/220	50/60	4	1300/1650	30分鐘/minutes	1.75/2.17	3.01/2.35	0.4/0.34	2.5/450V
5IK40A(GN)-CEM	40	1ø230/240	50	4	1350/1350	30分鐘/minutes	2.3/2.58	2.87/2.84	0.32/0.32	2.5/450V
5IK40A(GN)-SM	40	3ø220	50/60	4	1400/1600	30分鐘/minutes	10.51/7.83	2.83/2.4	0.32/0.28	-
5IK40A(GN)-UM	40	3ø380	50/60	4	1350/1600	30分鐘/minutes	9.25/6.68	2.85/2.45	0.16/0.15	-



60W/60W-GX外型圖

60W/60W-GX機型MODEL	出力(W) OUTPUT	電壓(V) VOLTAGE	頻率(HZ) FREQ.	極數(P) POLE	額定轉數(rpm) RATED SPEED	額定時間 RATED TIME	起動轉矩(Kg.cm) STARTING TORQUE	額定轉矩(Kg.cm) RATED TORQUE	額定電流(A) RATED CURRENT	電容量(µF) CAPACITY
5IK60GX-AFM	60	1ø100/110	50/60	4	1200/1650	30分鐘/minutes	2.6/2.94	5.0/3.5	1.8/1.12	16/300V
5IK60A(GN)-AFM	60	1ø200/220	50/60	4	1250/1600	30分鐘/minutes	3.62/4.41	4.64/3.63	0.64/0.54	4/450V
5IK60GX-CFM	60	1ø200/220	50/60	4	1250/1600	30分鐘/minutes	3.62/4.41	4.64/3.63	0.64/0.54	4/450V
5IK60A(GN)-CFM	60	1ø200/220	50/60	4	1250/1600	30分鐘/minutes	3.62/4.41	4.64/3.63	0.64/0.54	4/450V
5IK60GX-CEFM	60	1ø230/240	50	4	1300/1350	30分鐘/minutes	4.14/5.22	4.56/4.4	0.56/0.55	4/450V
5IK60A(GN)-CEFM	60	1ø230/240	50	4	1300/1350	30分鐘/minutes	4.14/5.22	4.56/4.4	0.56/0.55	4/450V
5IK60GX-SFM	60	3ø220	50/60	4	1300/1550	30分鐘/minutes	13.72/10.70	4.47/3.77	0.41/0.39	-
5IK60A(GN)-SFM	60	3ø220	50/60	4	1300/1550	30分鐘/minutes	13.72/10.70	4.47/3.77	0.41/0.39	-
5IK60GX-UFM	60	3ø380	50/60	4	1400/1550	30分鐘/minutes	14.33/10.15	4.2/3.79	0.21/0.22	-
5IK60A(GN)-UFM	60	3ø380	50/60	4	1400/1550	30分鐘/minutes	14.33/10.15	4.2/3.79	0.21/0.22	-



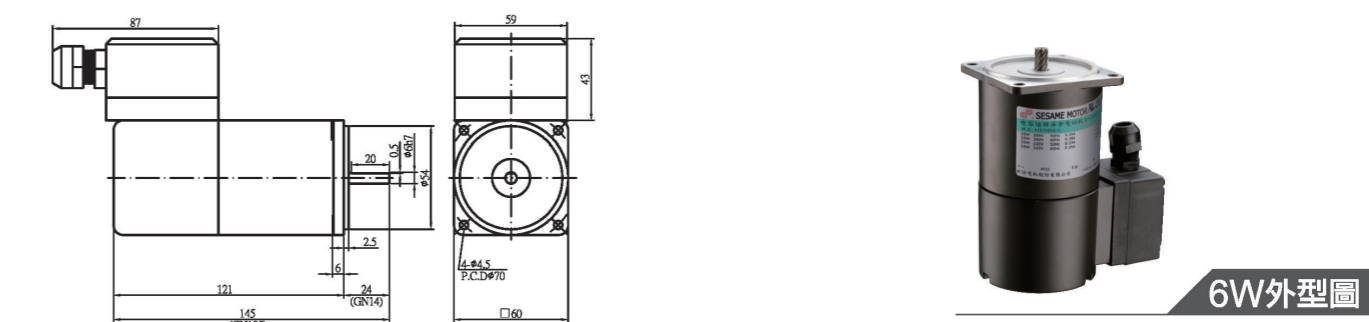
90W外型圖

90W機型MODEL	出力(W) OUTPUT	電壓(V) VOLTAGE	頻率(HZ) FREQ.	極數(P) POLE	額定轉數(rpm) RATED SPEED	額定時間 RATED TIME	起動轉矩(Kg.cm) STARTING TORQUE	額定轉矩(Kg.cm) RATED TORQUE	額定電流(A) RATED CURRENT	電容量(µF) CAPACITY
5IK90A(GX)-AFM	90	1ø100/110	50/60	4	1300/1650	30分鐘/minutes	4.76/5.86	6.68/5.33	1.5/1.41	22/250V
5IK90A(GX)-CFM	90	1ø200/220	50/60	4	1300/1650	30分鐘/minutes	4.3/4.21	6.89/5.34	0.76/0.72	5/450V
5IK90A(GX)-CEFM	90	1ø230/240	50	4	1350/1350	30分鐘/minutes	4.93/5.08	6.44/6.42	0.66/0.68	5/450V
5IK90A(GX)-SFM	90	3ø220	50/60	4	1400/1650	30分鐘/minutes	23.3/18.25	6.4/5.3	0.7/0.6	-
5IK90A(GX)-UFM	90	3ø380	50/60	4	1400/1650	30分鐘/minutes	23.3/18.14	6.27/5.23	0.4/0.3	-

ELECTRO-MAGNETIC INDUCTION BRAKE MOTOR, TERMINAL BOX TYPE -IP54

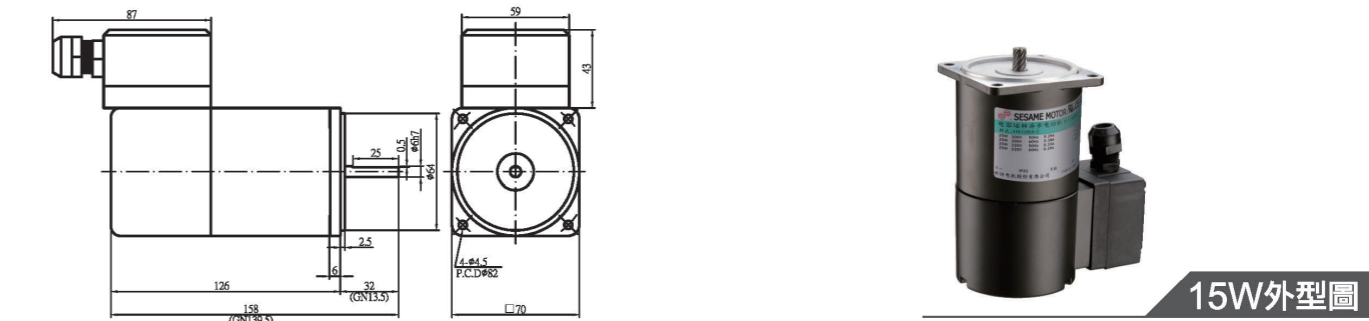
感應式電磁剎車馬達 接線盒式-防護等級IP54

■ 外形圖與規格表
■ OUTLINE & SPECIFICATION
■ 單位/UNIT : mm



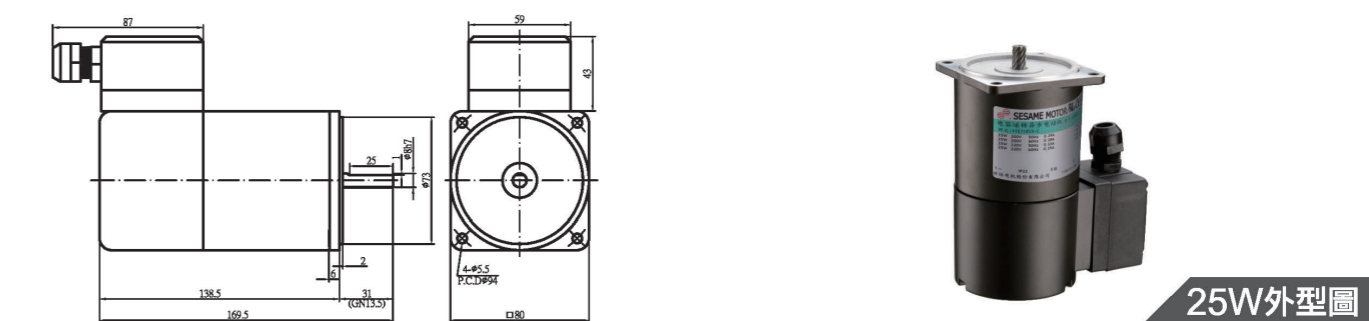
6W外型圖

6W機型MODEL	出力(W) OUTPUT	電壓(V) VOLTAGE	頻率(HZ) FREQ.	極數(P) POLE	額定轉數(rpm) RATED SPEED	額定時間 RATED TIME	起動轉矩(Kg.cm) STARTING TORQUE	額定轉矩(Kg.cm) RATED TORQUE	額定電流(A) RATED CURRENT	電容量(µF) CAPACITY
2IK6A(GN)-AMT	6	1ø100/110	50/60	4	1150/1400	30分鐘/minutes	0.7/0.63	0.51/0.41	0.22/0.21	2.5/300V
2IK6A(GN)-CMT	6	1ø200/220	50/60	4	1150/1550	30分鐘/minutes	0.65/0.7	0.51/0.54	0.1/0.11	0.7/450V
2IK6A(GN)-CEMT	6	1ø230/240	50	4	1100/1200	30分鐘/minutes	0.74/0.77	0.55/0.5	0.11/0.1	0.7/450V



15W外型圖

15W機型MODEL	出力(W) OUTPUT	電壓(V) VOLTAGE	頻率(HZ) FREQ.	極數(P) POLE	額定轉數(rpm) RATED SPEED	額定時間 RATED TIME	起動轉矩(Kg.cm) STARTING TORQUE	額定轉矩(Kg.cm) RATED TORQUE	額定電流(A) RATED CURRENT	電容量(µF) CAPACITY
3IK15A(GN)-AMT	15	1ø100/110	50/60	4	1150/1650	30分鐘/minutes	0.88/1.04	1.22/0.91	0.36/0.35	5/300V
3IK15A(GN)-CMT	15	1ø200/220	50/60	4	1150/1600	30分鐘/minutes	0.75/1.1	1.12/0.93	0.18/0.18	1.2/450V
3IK15A(GN)-CEMT	15	1ø230/240	50	4	1300/1300	30分鐘/minutes	1.06/1.06	1.14/1.13	0.17/0.17	1.2/450V



25W外型圖

25W機型MODEL	出力(W) OUTPUT	電壓(V) VOLTAGE	頻率(HZ) FREQ.	極數(P) POLE	額定轉數(rpm) RATED SPEED	額定時間 RATED TIME	起動轉矩(Kg.cm) STARTING TORQUE	額定轉矩(Kg.cm) RATED TORQUE	額定電流(A) RATED CURRENT	電容量(µF) CAPACITY
4IK25A(GN)-AMT	25	1ø100/110	50/60	4	1250/1600	30分鐘/minutes	1.4/1.4	1.93/1.51	0.57/0.45	6/300V
4IK25A(GN)-CMT	25	1ø200/220	50/60	4	1250/1600	30分鐘/minutes	1.57/1.38	1.91/1.52	0.28/0.25	1.5/450V
4IK25A(GN)-CEMT	25	1ø230/240	50	4	1300/1300	30分鐘/minutes	1.38/1.55	1.9/1.86	0.25/0.24	1.5/450V
4IK25A(GN)-SMT	25	3ø220	50/60	4	1300/1550	30分鐘/minutes	5.12/4.04	1.89/1.56	0.22/0.19	-
4IK25A(GN)-UMT	25	3ø380	50/60	4	1200/1350	30分鐘/minutes	3.96/2.97	2.04/1.79	0.11/0.11	-

備註 NOTES :

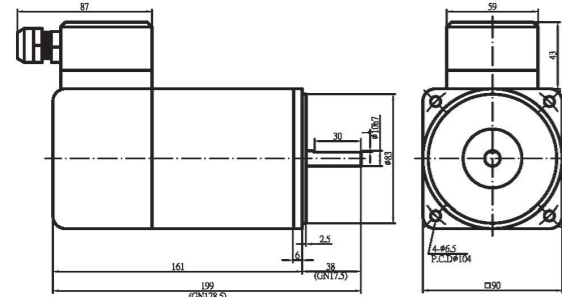
- 感應式電磁剎車馬達之使用頻率不可大於10次/分。The applicable frequency for the ELECTRO-MAGNETIC INDUCTION BRAKE MOTOR should not exceed more than 10 times per minute.
- 感應式電磁剎車馬達之靜摩擦轉矩：6W-25W: 4Kg.cm, 40W-90W: 10Kg.cm. Static friction torque of a ELECTRO-MAGNETIC INDUCTION BRAKE MOTOR is: 6W-25W: 4Kg.cm, 40W-90W: 10Kg.cm.

GENERAL PURPOSE MOTOR
SPEED CONTROLLED MOTOR
SPEED CONTROLLED MOTOR
CONTROLLER
BRAKE MOTOR
CLUTCH BRAKE MOTOR
TORQUE MOTOR
SPEED REDUCER
COMPONENTS
LINEAR ACTUATOR

ELECTRO-MAGNETIC INDUCTION BRAKE MOTOR, TERMINAL BOX TYPE -IP54

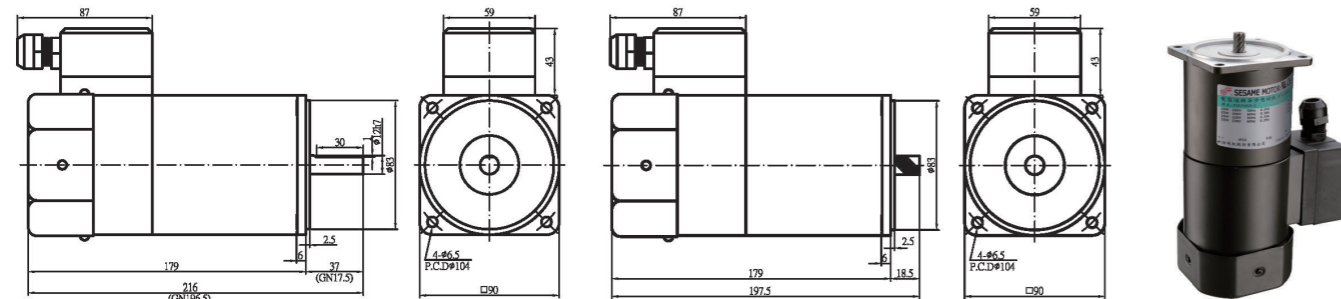
感應式電磁剎車馬達 接線盒式-防護等級IP54

■ 外形圖與規格表
■ OUTLINE & SPECIFICATION
■ 單位/UNIT : mm



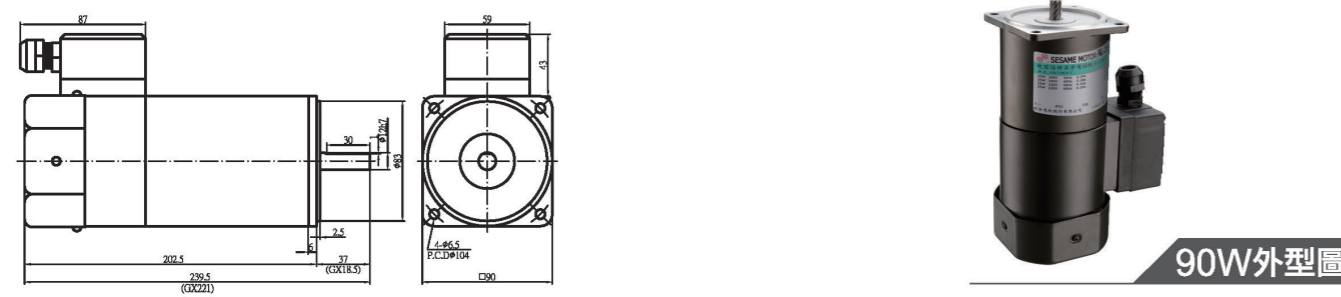
40W外型圖

40W機型MODEL	出力(W) OUTPUT	電壓(V) VOLTAGE	頻率(HZ) FREQ.	極數(P) POLE	額定轉數(rpm) RATED SPEED	額定時間 RATED TIME	起動轉矩(Kg.cm) STARTING TORQUE	額定轉矩(Kg.cm) RATED TORQUE	額定電流(A) RATED CURRENT	電容量(μF) CAPACITY
5IK40A(GN)-AMT	40	1φ100/110	50/60	4	1250/1600	30分鐘/minutes	2.14/2.66	3.17/2.41	0.87/0.76	10/300V
5IK40A(GN)-CMT	40	1φ200/220	50/60	4	1300/1650	30分鐘/minutes	1.75/2.17	3.01/2.35	0.4/0.34	2.5/450V
5IK40A(GN)-CEMT	40	1φ230/240	50	4	1350/1350	30分鐘/minutes	2.3/2.58	2.87/2.84	0.32/0.32	2.5/450V
5IK40A(GN)-SMT	40	3φ220	50/60	4	1400/1600	30分鐘/minutes	10.51/7.83	2.83/2.4	0.29/0.27	-
5IK40A(GN)-UMT	40	3φ380	50/60	4	1350/1600	30分鐘/minutes	9.25/6.68	2.85/2.45	0.16/0.15	-



60W/60W-GX外型圖

60W/60W-GX機型MODEL	出力(W) OUTPUT	電壓(V) VOLTAGE	頻率(HZ) FREQ.	極數(P) POLE	額定轉數(rpm) RATED SPEED	額定時間 RATED TIME	起動轉矩(Kg.cm) STARTING TORQUE	額定轉矩(Kg.cm) RATED TORQUE	額定電流(A) RATED CURRENT	電容量(μF) CAPACITY
5IK60A(GN)-AFMT 5IK60GX-AFMT	60	1φ100/110	50/60	4	1200/1650	30分鐘/minutes	2.6/2.94	5.0/3.5	1.8/1.12	16/300V
5IK60A(GN)-CFMT 5IK60GX-CFMT	60	1φ200/220	50/60	4	1250/1600	30分鐘/minutes	3.62/4.41	4.64/3.63	0.64/0.54	4/450V
5IK60A(GN)-CEFMT 5IK60GX-CEFMT	60	1φ220/240	50	4	1300/1350	30分鐘/minutes	4.14/5.22	4.56/4.40	0.56/0.55	4/450V
5IK60A(GN)-SFMT 5IK60GX-SFMT	60	3φ220	50/60	4	1300/1550	30分鐘/minutes	13.72/10.70	4.47/3.77	0.41/0.39	-
5IK60A(GN)-UFMT 5IK60GX-UFMT	60	3φ380	50/60	4	1400/1550	30分鐘/minutes	14.33/10.15	4.2/3.79	0.21/0.22	-



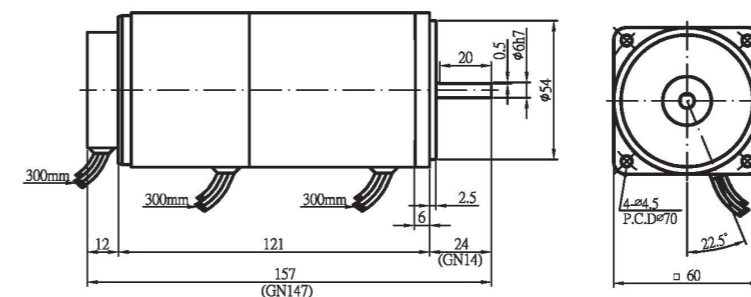
90W外型圖

90W機型MODEL	出力(W) OUTPUT	電壓(V) VOLTAGE	頻率(HZ) FREQ.	極數(P) POLE	額定轉數(rpm) RATED SPEED	額定時間 RATED TIME	起動轉矩(Kg.cm) STARTING TORQUE	額定轉矩(Kg.cm) RATED TORQUE	額定電流(A) RATED CURRENT	電容量(μF) CAPACITY
5IK90A(GX)-AFMT	90	1φ100/110	50/60	4	1300/1650	30分鐘/minutes	4.76/5.86	6.68/5.33	1.5/1.41	22/250V
5IK90A(GX)-CFMT	90	1φ200/220	50/60	4	1300/1650	30分鐘/minutes	4.3/4.21	6.89/5.34	0.76/0.72	5/450V
5IK90A(GX)-CEFMT	90	1φ220/240	50	4	1350/1350	30分鐘/minutes	4.93/5.08	6.44/6.42	0.66/0.68	5/450V
5IK90A(GX)-SFMT	90	3φ220	50/60	4	1400/1650	30分鐘/minutes	23.3/18.25	6.4/5.3	0.7/0.6	-
5IK90A(GX)-UFMT	90	3φ380	50/60	4	1400/1650	30分鐘/minutes	23.3/18.14	6.3/5.3	0.4/0.3	-

ELECTRO-MAGNETIC VARIABLE SPEED BRAKE MOTOR

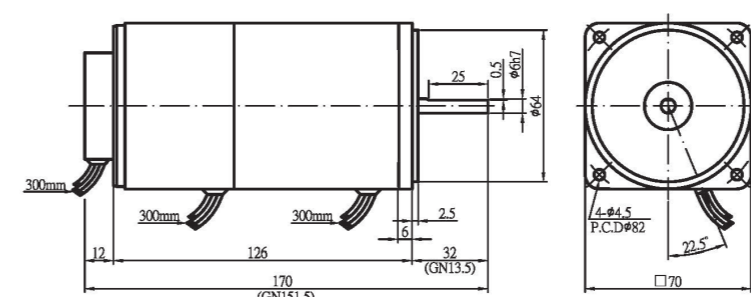
無段變速電磁剎車馬達

■ 外形圖與規格表
■ OUTLINE & SPECIFICATION
■ 單位/UNIT : mm



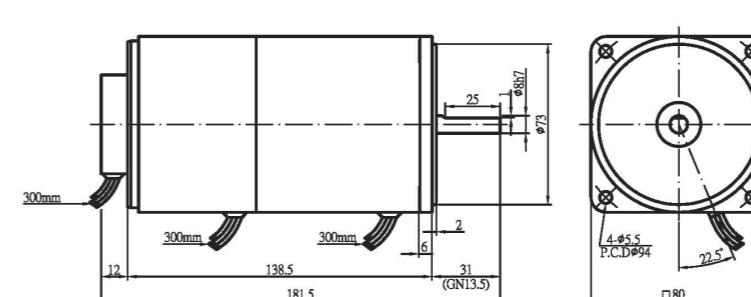
6W外型圖

6W機型名稱 TYPE	額定出力(W) RATED OUTPUT	電壓(V) VOLTAGE	頻率(HZ) FREQ.	極數(P) POLE	電流(A) CURRENT	調速範圍(rpm) ADJUSTABLE RANGE	起動轉矩(Kg.cm) STARTING TORQUE	容許轉矩(Kg.cm)/ 設定運轉數 MAXIMUM TORQUE/ PRE-SET TURNINGS		電容器CAPACITOR	
								1200rpm	90rpm	容量(μF) CAPACITY	耐電壓(VAC) VOLTAGE
2IK6RA(GN)-AM	6	100/110	50/60	4	0.22/0.21	90~1400/90~1700	0.7/0.63	0.4/0.55	0.72/0.5	2.5	300
2IK6RA(GN)-CM	6	200/220	50/60	4	0.1/0.11	90~1400/90~1700	0.65/0.7	0.44/0.66	0.6/0.7	0.7	450
2IK6RA(GN)-CEM	6	230/240	50	4	0.11/0.1	90~1400	0.74/0.77	0.39/0.52	0.72/0.8	0.7	450



15W外型圖

15W機型名稱 TYPE	額定出力(W) RATED OUTPUT	電壓(V) VOLTAGE	頻率(HZ) FREQ.	極數(P) POLE	電流(A) CURRENT	調速範圍(rpm) ADJUSTABLE RANGE	起動轉矩(Kg.cm) STARTING TORQUE	容許轉矩(Kg.cm)/ 設定運轉數 MAXIMUM TORQUE/ PRE-SET TURNINGS		電容器CAPACITOR	
								1200rpm	90rpm	容量(μF) CAPACITY	耐電壓(VAC) VOLTAGE
3IK15RA(GN)-AM	15	100/110	50/60	4	0.36/0.35	90~1400/90~1700	0.88/1.04	0.9/1.5	1.0/1.1	5	300
3IK15RA(GN)-CM	15	200/220	50/60	4	0.18/0.18	90~1400/90~1700	0.75/1.1	1.1/1.5	1.0/1.1	1.2	450
3IK15RA(GN)-CEM	15	230/240	50	4	0.17/0.17	90~1400	1.06/1.06	1.40/1.32	1.02/1.25	1.2	450



25W外型圖

25W機型名稱 TYPE	額定出力(W) RATED OUTPUT	電壓(V) VOLTAGE	頻率(HZ) FREQ.	極數(P) POLE	電流(A) CURRENT	調速範圍(rpm) ADJUSTABLE RANGE	起動轉矩(Kg.cm) STARTING TORQUE	容許轉矩(Kg.cm)/ 設定運轉數 MAXIMUM TORQUE/ PRE-SET TURNINGS		電容器CAPACITOR	
								1200rpm	90rpm	容量(μF) CAPACITY	耐電壓(VAC) VOLTAGE
4IK25RA(GN)-AM	25	100/110	50/60	4	0.57/0.45	90~1400/90~1700	1.4/1.4	2.17/2.5	1.4/1.4	6	300
4IK25RA(GN)-CM	25	200/220	50/60	4	0.28/0.25	90~1400/90~1700	1.57/1.38	2.1/2.4	1.6/1.3	1.5	450
4IK25RA(GN)-CEM	25	230/240	50	4	0.25/0.24	90~1400	1.38/1.55	2.2/2.4	1.5/1.7	1.5	450

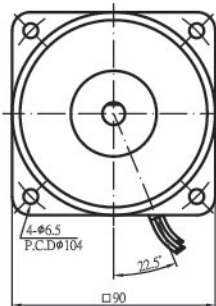
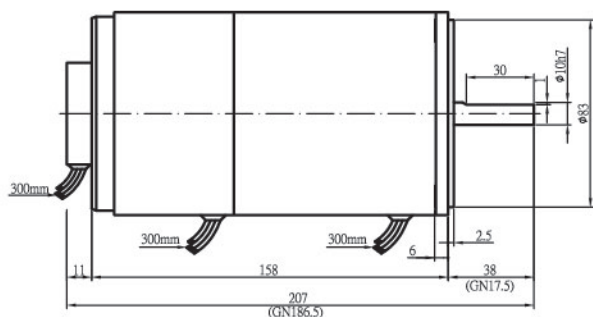
備註 NOTES :

- 感應式電磁剎車馬達之使用頻率不可大於10次/分。The applicable frequency for the ELECTRO-MAGNETIC INDUCTION BRAKE MOTOR should not exceed more than 10 times per minute.
- 感應式電磁剎車馬達之靜摩擦轉矩：6W~25W: 4Kg.cm, 40W~90W: 10Kg.cm. Static friction torque of a ELECTRO-MAGNETIC INDUCTION BRAKE MOTOR is: 6W~25W: 4Kg.cm, 40W~90W: 10Kg.cm.

ELECTRO-MAGNETIC VARIABLE SPEED BRAKE MOTOR

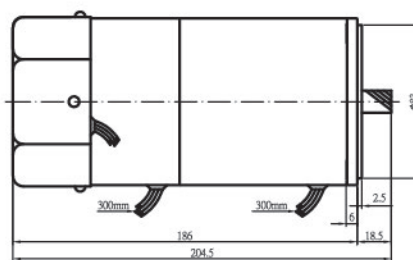
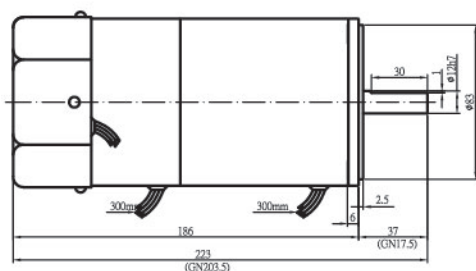
無段變速電磁剎車馬達

- 外形圖與規格表
- OUTLINE & SPECIFICATION
- 單位/UNIT : mm



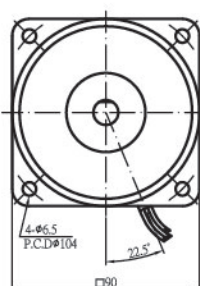
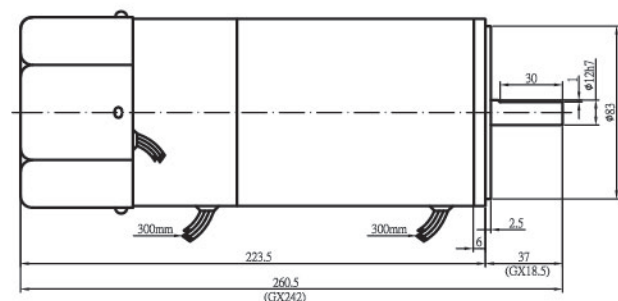
40W外型圖

40W機種名稱 TYPE	額定出力(W) RATED OUTPUT	電壓(V) VOLTAGE	頻率(HZ) FREQ.	極數(P) POLE	電流(A) CURRENT	調速範圍(rpm) ADJUSTABLE RANGE	起動轉矩(Kg.cm) STARTING TORQUE	容許轉矩(Kg.cm)/ 設定運轉數 MAXIMUM TORQUE/ PRE-SET TURNINGS		電容器CAPACITOR	
								1200rpm	90rpm	容量(μF) CAPACITY	耐電壓(VAC) WITHSTAND VOLTAGE
5IK40RA(GN)-AM	40	100/110	50/60	4	0.87/0.76	90~1400/90~1700	2.14/2.66	3.18/4.2	2.2/2.8	10	300
5IK40RA(GN)-CM	40	200/220	50/60	4	0.4/0.34	90~1400/90~1700	1.75/2.17	3.6/4.2	1.8/2.1	2.5	450
5IK40RA(GN)-CEM	40	230/240	50	4	0.32/0.32	90~1400	2.3/2.58	4.4/4.6	2.4/2.6	2.5	450



60W/60W-GX外型圖

60W/60W-GX機種名稱 TYPE	額定出力(W) RATED OUTPUT	電壓(V) VOLTAGE	頻率(HZ) FREQ.	極數(P) POLE	電流(A) CURRENT	調速範圍(rpm) ADJUSTABLE RANGE	起動轉矩(Kg.cm) STARTING TORQUE	容許轉矩(Kg.cm)/ 設定運轉數 MAXIMUM TORQUE/ PRE-SET TURNINGS		電容器CAPACITOR	
								1200rpm	90rpm	容量(μF) CAPACITY	耐電壓(VAC) WITHSTAND VOLTAGE
5IK60RA(GN)-AFM 5IK60RGX-AFM	60	100/110	50/60	4	1.8/1.12	90~1400/90~1700	2.6/2.94	5.6/6.9	3.5/4.0	16	300
5IK60RA(GN)-CFM 5IK60RGX-CFM	60	200/220	50/60	4	0.64/0.54	90~1400/90~1700	3.62/4.41	5.9/6.9	4.6/4.4	4	450
5IK60RA(GN)-CEFM 5IK60RGX-CEFM	60	230/240	50	4	0.56/0.55	90~1400	4.1/5.22	6.1/7.2	4.37/5.2	4	450



90W外型圖

90W機種名稱 TYPE	額定出力(W) RATED OUTPUT	電壓(V) VOLTAGE	頻率(HZ) FREQ.	極數(P) POLE	電流(A) CURRENT	調速範圍(rpm) ADJUSTABLE RANGE	起動轉矩(Kg.cm) STARTING TORQUE	容許轉矩(Kg.cm)/ 設定運轉數 MAXIMUM TORQUE/ PRE-SET TURNINGS		電容器CAPACITOR	
								1200rpm	90rpm	容量(μF) CAPACITY	耐電壓(VAC) WITHSTAND VOLTAGE
5IK90RA(GX)-AFM	90	100/110	50/60	4	1.5/1.41	90~1400/90~1700	4.76/5.86	8.4/10.2	5/6.1	22	250
5IK90RA(GX)-CFM	90	200/220	50/60	4	0.76/0.72	90~1400/90~1700	4.3/4.21	8/8.7	4.4/4.4	5	450
5IK90RA(GX)-CEFM	90	230/240	50	4	0.66/0.68	90~1400	4.93/5.08	9.8/10.2	5.2/5.6	5	450

Products due to human error, natural disasters or other factors lead to poor or damaged, will not be covered under warranty. 產品因人為原因或天災等因素導致不良或損壞，不在保固範圍內。