


# GENERAL PURPOSE MOTOR

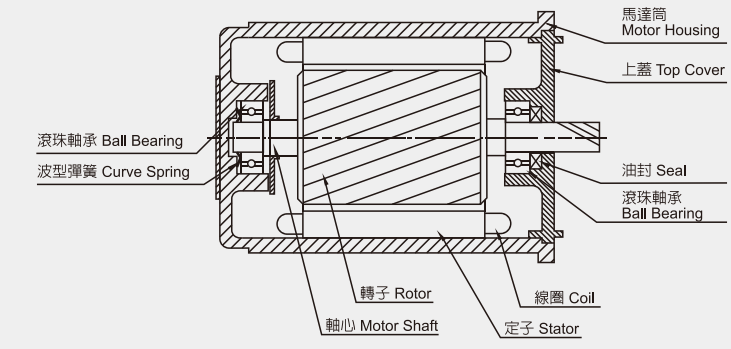
## 泛用型馬達

- 連續額定 Continuous Rating
- 高效率、低噪音 High Efficiency, Low Noise
- 用途廣泛 Multifunctional
- 單相馬達：電容運轉型 1 Phase: with Capacitor
- 三相馬達：連續運轉型，適合產業機械使用 3 Phase: Continuous Running, Suitable for Industrial Machinery


### 連續運轉型，導線式 INDUCTION MOTOR, LEAD-WIRE TYPE (6W-90W)



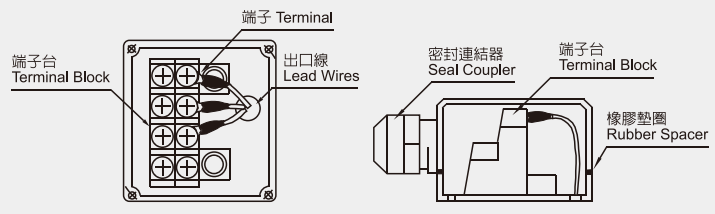
#### 連續運轉型馬達構造圖 INDUCTION MOTOR CONSTRUCTION



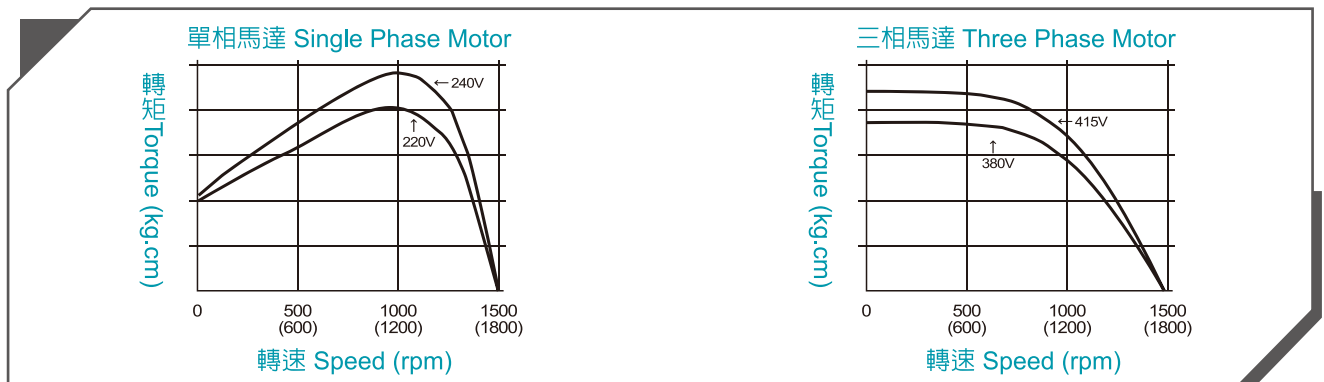
### 連續運轉型，接線盒式 INDUCTION MOTOR, TERMINAL BOX TYPE (6W-90W)



#### 接線盒構造圖 TERMINAL BOX CONSTRUCTION



### 連續運轉型馬達特性圖 INDUCTION MOTOR CURVE

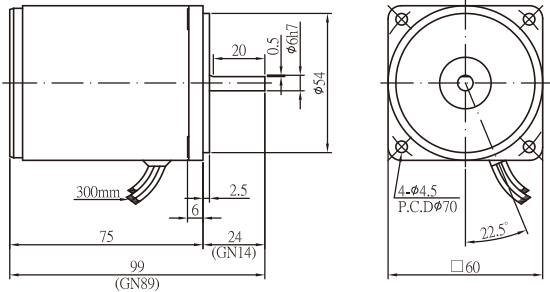


備註：4極馬達在頻率50Hz時，同步轉速為1500rpm。在60Hz時為1800rpm。  
 NOTES: At 50Hz, a 4-pole motor has synchronous turning speed of 1500rpm, 1800rpm at 60Hz.

## IK Series INDUCTION MOTOR, LEAD-WIRE TYPE-IP22

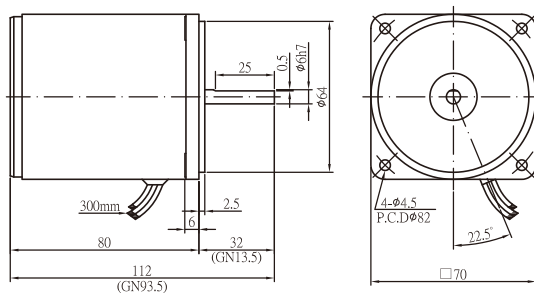
感應式馬達 導線式-防護等級IP22

- 外形圖與規格表
- OUTLINE & SPECIFICATION
- 單位/UNIT : mm



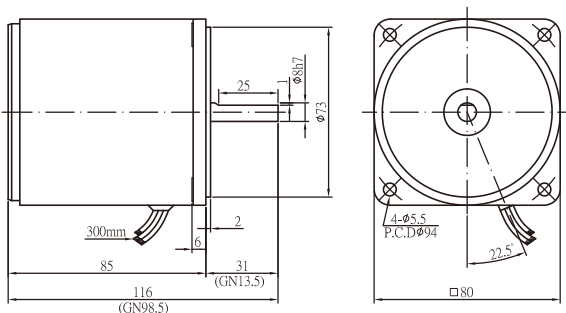
6W外型圖

6W機型MODEL	出力(W) OUTPUT	電壓(V) VOLTAGE	頻率(HZ) FREQ.	極數(P) POLE	額定轉數(rpm) RATED SPEED	額定時間 RATED TIME	起動轉矩(Kg.cm) STARTING TORQUE	額定轉矩(Kg.cm) RATED TORQUE	額定電流(A) RATED CURRENT	電容量(μF) CAPACITOR
2IK6A(GN)-A	6	1φ100/110	50/60	4	1150/1400	連續Continuous	0.7/0.63	0.51/0.41	0.22/0.21	2.5/300V
2IK6A(GN)-C	6	1φ200/220	50/60	4	1150/1550	連續Continuous	0.65/0.7	0.51/0.54	0.1/0.1	0.7/450V
2IK6A(GN)-CE	6	1φ230/240	50	4	1100/1200	連續Continuous	0.74/0.77	0.55/0.5	0.11/0.1	0.7/450V



15W外型圖

15W機型MODEL	出力(W) OUTPUT	電壓(V) VOLTAGE	頻率(HZ) FREQ.	極數(P) POLE	額定轉數(rpm) RATED SPEED	額定時間 RATED TIME	起動轉矩(Kg.cm) STARTING TORQUE	額定轉矩(Kg.cm) RATED TORQUE	額定電流(A) RATED CURRENT	電容量(μF) CAPACITY
3IK15A(GN)-A	15	1φ100/110	50/60	4	1200/1600	連續Continuous	0.88/1.04	1.22/0.91	0.36/0.35	5/300V
3IK15A(GN)-C	15	1φ200/220	50/60	4	1150/1600	連續Continuous	0.75/1.1	1.12/0.93	0.18/0.18	1.2/450V
3IK15A(GN)-CE	15	1φ230/240	50	4	1300/1300	連續Continuous	1.06/1.06	1.14/1.13	0.17/0.17	1.2/450V



25W外型圖

25W機型MODEL	出力(W) OUTPUT	電壓(V) VOLTAGE	頻率(HZ) FREQ.	極數(P) POLE	額定轉數(rpm) RATED SPEED	額定時間 RATED TIME	起動轉矩(Kg.cm) STARTING TORQUE	額定轉矩(Kg.cm) RATED TORQUE	額定電流(A) RATED CURRENT	電容量(μF) CAPACITY
4IK25A(GN)-A	25	1φ100/110	50/60	4	1250/1600	連續Continuous	1.4/1.4	1.93/1.51	0.57/0.45	6/300V
4IK25A(GN)-C	25	1φ200/220	50/60	4	1250/1600	連續Continuous	1.57/1.38	1.91/1.52	0.28/0.25	1.5/450V
4IK25A(GN)-CE	25	1φ230/240	50	4	1300/1300	連續Continuous	1.38/1.55	1.9/1.86	0.25/0.24	1.5/450V
4IK25A(GN)-S	25	3φ220	50/60	4	1300/1550	連續Continuous	5.12/4.04	1.89/1.56	0.22/0.19	-
4IK25A(GN)-U	25	3φ380	50/60	4	1200/1350	連續Continuous	3.96/2.97	2.04/1.79	0.11/0.11	-

泛用型馬達  
GENERAL PURPOSE MOTOR

速度控制型馬達  
SPEED CONTROLLED MOTOR

控制器  
CONTROLLER

煞車馬達  
BRAKE MOTOR

離合煞車馬達  
CLUTCH BRAKE MOTOR

轉矩馬達  
TORQUE MOTOR

減速機  
SPEED REDUCER

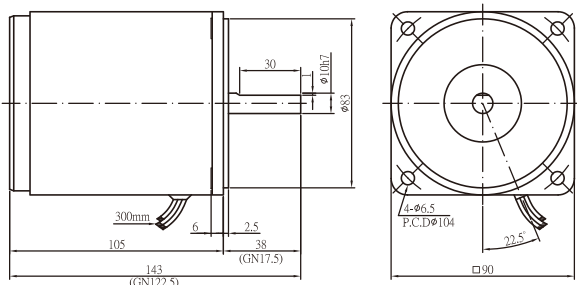
零組件類  
COMPONENTS

推桿馬達  
LINEAR ACTUATOR

# IK Series INDUCTION MOTOR, LEAD-WIRE TYPE-IP22

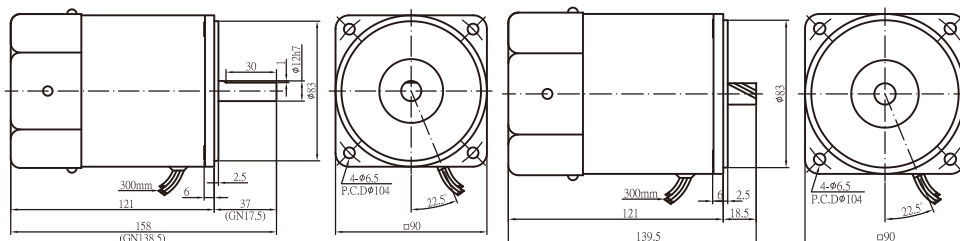
感應式馬達 導線式-防護等級IP22

- 外形圖與規格表
- OUTLINE & SPECIFICATION
- 單位/UNIT : mm



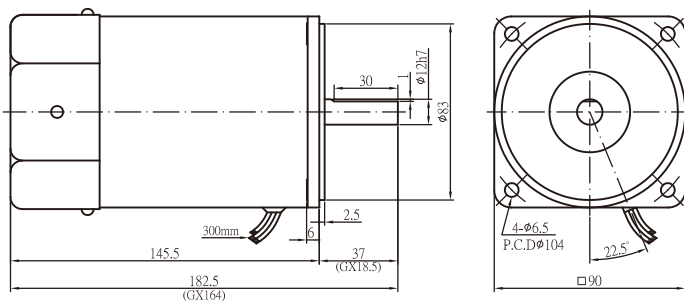
40W外型圖

40W機型MODEL	出力(W) OUTPUT	電壓(V) VOLTAGE	頻率(HZ) FREQ.	極數(P) POLE	額定轉數(rpm) RATED SPEED	額定時間 RATED TIME	起動轉矩(Kg.cm) STARTING TORQUE	額定轉矩(Kg.cm) RATED TORQUE	額定電流(A) RATED CURRENT	電容量(µF) CAPACITY
5IK40A(GN)-A	40	1ø100/110	50/60	4	1250/1600	連續Continuous	2.14/2.66	3.17/2.41	0.87/0.76	10/300V
5IK40A(GN)-C	40	1ø200/220	50/60	4	1300/1650	連續Continuous	1.75/2.17	3.01/2.35	0.4/0.34	2.5/450V
5IK40A(GN)-CE	40	1ø230/240	50	4	1350/1350	連續Continuous	2.3/2.58	2.87/2.84	0.32/0.32	2.5/450V
5IK40A(GN)-S	40	3ø220	50/60	4	1400/1600	連續Continuous	10.51/7.83	2.83/2.4	0.29/0.27	-
5IK40A(GN)-U	40	3ø380	50/60	4	1350/1600	連續Continuous	9.25/6.68	2.85/2.45	0.16/0.15	-



60W/  
60W-GX外型圖

60W/60W-GX機型MODEL	出力(W) OUTPUT	電壓(V) VOLTAGE	頻率(HZ) FREQ.	極數(P) POLE	額定轉數(rpm) RATED SPEED	額定時間 RATED TIME	起動轉矩(Kg.cm) STARTING TORQUE	額定轉矩(Kg.cm) RATED TORQUE	額定電流(A) RATED CURRENT	電容量(µF) CAPACITY
5IK60A(GN, GX)-AF	60	1ø100/110	50/60	4	1200/1650	連續Continuous	2.6/2.94	5.0/3.5	1.8/1.12	16/300V
5IK60A(GN, GX)-CF	60	1ø200/220	50/60	4	1250/1600	連續Continuous	3.62/4.41	4.64/3.63	0.64/0.54	4/450V
5IK60A(GN, GX)-CEF	60	1ø230/240	50	4	1300/1350	連續Continuous	4.14/5.22	4.56/4.4	0.56/0.55	4/450V
5IK60A(GN, GX)-SF	60	3ø220	50/60	4	1300/1550	連續Continuous	13.72/10.70	4.47/3.77	0.41/0.39	-
5IK60A(GN, GX)-UF	60	3ø380	50/60	4	1400/1550	連續Continuous	14.33/10.15	4.2/3.79	0.21/0.22	-



90W外型圖

90W機型MODEL	出力(W) OUTPUT	電壓(V) VOLTAGE	頻率(HZ) FREQ.	極數(P) POLE	額定轉數(rpm) RATED SPEED	額定時間 RATED TIME	起動轉矩(Kg.cm) STARTING TORQUE	額定轉矩(Kg.cm) RATED TORQUE	額定電流(A) RATED CURRENT	電容量(µF) CAPACITY
5IK90A(GX)-AF	90	1ø100/110	50/60	4	1300/1650	連續Continuous	4.76/5.86	6.68/5.33	1.5/1.41	22/250V
5IK90A(GX)-CF	90	1ø200/220	50/60	4	1300/1650	連續Continuous	4.3/4.21	6.7/5.34	0.76/0.72	6/5/450V
5IK90A(GX)-CEF	90	1ø230/240	50	4	1350/1350	連續Continuous	4.93/5.08	6.44/6.42	0.66/0.68	5/450V
5IK90A(GX)-SF	90	3ø220	50/60	4	1400/1650	連續Continuous	23.3/18.25	6.4/5.3	0.7/0.6	-
5IK90A(GX)-UF	90	3ø380	50/60	4	1400/1650	連續Continuous	23.3/18.14	6.3/5.3	0.4/0.3	-

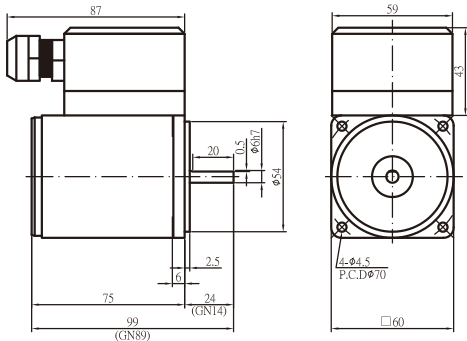
Products due to human error, natural disasters or other factors lead to poor or damaged, will not be covered under warranty. 產品因人為原因或天災等因素導致不良或損壞, 不在保固範圍內。

## IK Series

### INDUCTION MOTOR, TERMINAL BOX TYPE-IP54

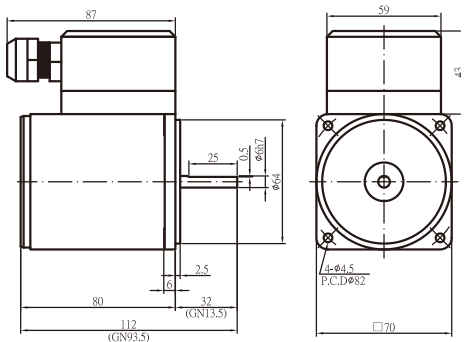
感應式馬達 接線盒式-防護等級IP54

- 外形圖與規格表
- OUTLINE & SPECIFICATION
- 單位/UNIT : mm



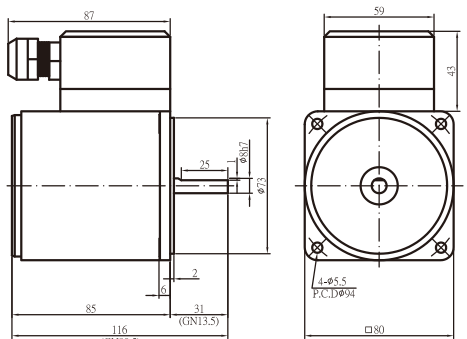
6W外型圖

6W機型MODEL	出力(W) OUTPUT	電壓(V) VOLTAGE	頻率(HZ) FREQ.	極數(P) POLE	額定轉數(rpm) RATED SPEED	額定時間 RATED TIME	起動轉矩(Kg.cm) STARTING TORQUE	額定轉矩(Kg.cm) RATED TORQUE	額定電流(A) RATED CURRENT	電容量(µF) CAPACITY
2IK6A(GN)-AT	6	1ø100/110	50/60	4	1150/1400	連續Continuous	0.7/0.63	0.5/0.41	0.22/0.21	2.5/300V
2IK6A(GN)-CT	6	1ø200/220	50/60	4	1150/1550	連續Continuous	0.65/0.7	0.51/0.54	0.1/0.1	0.7/450V
2IK6A(GN)-CET	6	1ø230/240	50	4	1100/1200	連續Continuous	0.74/0.77	0.55/0.5	0.11/0.1	0.7/450V



15W外型圖

15W機型MODEL	出力(W) OUTPUT	電壓(V) VOLTAGE	頻率(HZ) FREQ.	極數(P) POLE	額定轉數(rpm) RATED SPEED	額定時間 RATED TIME	起動轉矩(Kg.cm) STARTING TORQUE	額定轉矩(Kg.cm) RATED TORQUE	額定電流(A) RATED CURRENT	電容量(µF) CAPACITY
3IK15A(GN)-AT	15	1ø100/110	50/60	4	1150/1650	連續Continuous	0.88/1.04	1.22/0.91	0.36/0.35	5/300V
3IK15A(GN)-CT	15	1ø200/220	50/60	4	1150/1600	連續Continuous	0.75/1.1	1.12/0.93	0.18/0.18	1.2/450V
3IK15A(GN)-CET	15	1ø230/240	50	4	1300/1300	連續Continuous	1.06/1.06	1.14/1.13	0.17/0.17	1.2/450V



25W外型圖

25W機型MODEL	出力(W) OUTPUT	電壓(V) VOLTAGE	頻率(HZ) FREQ.	極數(P) POLE	額定轉數(rpm) RATED SPEED	額定時間 RATED TIME	起動轉矩(Kg.cm) STARTING TORQUE	額定轉矩(Kg.cm) RATED TORQUE	額定電流(A) RATED CURRENT	電容量(µF) CAPACITY
4IK25A(GN)-AT	25	1ø100/110	50/60	4	1250/1600	連續Continuous	1.4/1.4	1.93/1.51	0.57/0.45	6/300V
4IK25A(GN)-CT	25	1ø200/220	50/60	4	1250/1600	連續Continuous	1.57/1.38	1.91/1.52	0.28/0.25	1.5/450V
4IK25A(GN)-CET	25	1ø230/240	50	4	1300/1300	連續Continuous	1.38/1.55	1.9/1.86	0.25/0.24	1.5/450V
4IK25A(GN)-ST	25	3ø220	50/60	4	1300/1550	連續Continuous	5.12/4.04	1.89/1.56	0.22/0.19	-
4IK25A(GN)-UT	25	3ø380	50/60	4	1200/1350	連續Continuous	3.96/2.97	2.04/1.79	0.11/0.11	-

泛用型馬達  
GENERAL PURPOSE MOTOR

速度控制型馬達  
SPEED CONTROLLED MOTOR

控制器  
CONTROLLER

煞車馬達  
BRAKE MOTOR

離合煞車馬達  
CLUTCH BRAKE MOTOR

轉矩馬達  
TORQUE MOTOR

減速機  
SPEED REDUCER

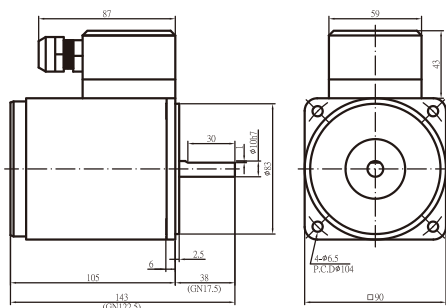
零組件類  
COMPONENTS

推桿馬達  
LINEAR ACTUATOR

# IK Series INDUCTION MOTOR, TERMINAL BOX TYPE-IP54

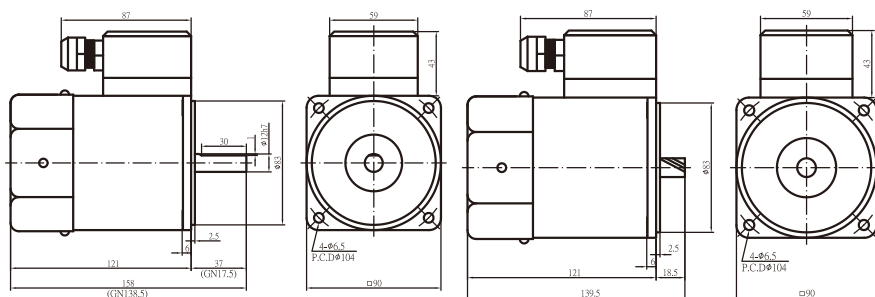
感應式馬達 接線盒式-防護等級IP54

- 外形圖與規格表
- OUTLINE & SPECIFICATION
- 單位/UNIT : mm



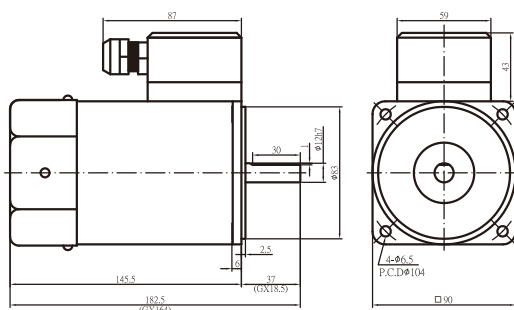
40W外型圖

40W機型MODEL	出力(W) OUTPUT	電壓(V) VOLTAGE	頻率(HZ) FREQ.	極數(P) POLE	額定轉數(rpm) RATED SPEED	額定時間 RATED TIME	起動轉矩(Kg.cm) STARTING TORQUE	額定轉矩(Kg.cm) RATED TORQUE	額定電流(A) RATED CURRENT	電容量(μF) CAPACITY
5IK40A(GN)-AT	40	1φ100/110	50/60	4	1250/1600	連續Continuous	2.14/2.66	3.17/2.41	0.87/0.76	10/300V
5IK40A(GN)-CT	40	1φ200/220	50/60	4	1300/1650	連續Continuous	1.75/2.17	3.01/2.35	0.4/0.34	2.5/450V
5IK40A(GN)-CET	40	1φ230/240	50	4	1350/1350	連續Continuous	2.3/2.58	2.87/2.84	0.32/0.32	2.5/450V
5IK40A(GN)-ST	40	3φ220	50/60	4	1400/1600	連續Continuous	10.51/7.83	2.83/2.4	0.29/0.27	-
5IK40A(GN)-UT	40	3φ380	50/60	4	1350/1600	連續Continuous	9.25/6.68	2.85/2.45	0.16/0.15	-



60W/  
60W-GX外型圖

60W/60W-GX機型MODEL	出力(W) OUTPUT	電壓(V) VOLTAGE	頻率(HZ) FREQ.	極數(P) POLE	額定轉數(rpm) RATED SPEED	額定時間 RATED TIME	起動轉矩(Kg.cm) STARTING TORQUE	額定轉矩(Kg.cm) RATED TORQUE	額定電流(A) RATED CURRENT	電容量(μF) CAPACITY
5IK60A(GN, GX)-AFT	60	1φ100/110	50/60	4	1200/1650	連續Continuous	2.6/2.94	5.0/3.5	1.8/1.12	16/300V
5IK60A(GN, GX)-CFT	60	1φ200/220	50/60	4	1250/1600	連續Continuous	3.62/4.41	4.64/3.63	0.64/0.54	4/450V
5IK60A(GN, GX)-CEFT	60	1φ230/240	50	4	1350/1350	連續Continuous	4.14/5.22	4.56/4.4	0.56/0.55	4/450V
5IK60A(GN, GX)-SFT	60	3φ220	50/60	4	1300/1550	連續Continuous	13.72/10.70	4.47/3.77	0.41/0.39	-
5IK60A(GN, GX)-UFT	60	3φ380	50/60	4	1400/1550	連續Continuous	14.33/10.15	4.2/3.79	0.21/0.22	-



90W外型圖

90W機型MODEL	出力(W) OUTPUT	電壓(V) VOLTAGE	頻率(HZ) FREQ.	極數(P) POLE	額定轉數(rpm) RATED SPEED	額定時間 RATED TIME	起動轉矩(Kg.cm) STARTING TORQUE	額定轉矩(Kg.cm) RATED TORQUE	額定電流(A) RATED CURRENT	電容量(μF) CAPACITY
5IK90A(GX)-AFT	90	1φ100/110	50/60	4	1300/1650	連續Continuous	4.76/5.86	6.68/5.33	1.5/1.41	22/250V
5IK90A(GX)-CFT	90	1φ200/220	50/60	4	1300/1650	連續Continuous	4.3/4.21	6.89/5.34	0.76/0.72	5/450V
5IK90A(GX)-CEFT	90	1φ230/240	50	4	1350/1350	連續Continuous	4.93/5.08	6.44/6.42	0.66/0.68	5/450V
5IK90A(GX)-SFT	90	3φ220	50/60	4	1400/1650	連續Continuous	23.3/18.25	6.4/5.3	0.7/0.6	-
5IK90A(GX)-UFT	90	3φ380	50/60	4	1400/1650	連續Continuous	23.3/18.14	6.3/5.3	0.4/0.3	-

Products due to human error, natural disasters or other factors lead to poor or damaged, will not be covered under warranty. 產品因人為原因或天災等因素導致不良或損壞, 不在保固範圍內。